

A33

WMC



Bronze Finish
(Up/Down Light)



Brushed Nickel Finish
(Up/Down Light)



Bronze Finish
(Down Light)

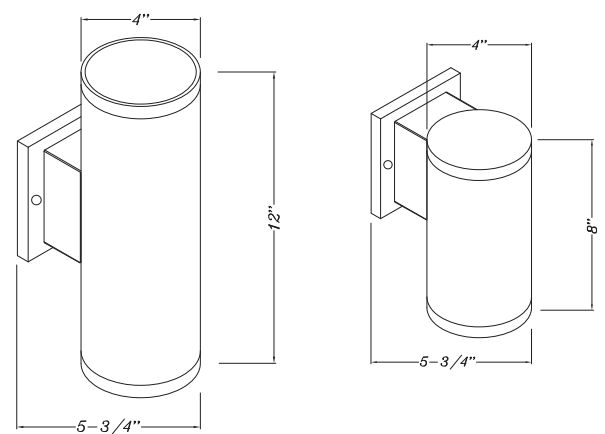


Brushed Nickel Finish
(Down Light)

- OPTIONS
- PHOTOCELL
- MOTION SENSOR
- BATTERY BACKUP

TECHNICAL SPECIFICATIONS:

- :: Outdoor Wall Cylinders
- :: Housing: Die-cast aluminum
- :: Finish: Bronze & Brushed Nickel
- :: LED: COB technology with prismatic reflector and lens
- :: TRIAC Dimming
- :: Input voltage: 120V
- :: Wattage: 15W (Down light); 30W (Up/Down light, 15W per end)
- :: Multi Color Temperatures: 3000K/4000K/5000K
- :: Beam angle: 40° for each side
- :: CRI: >80
- :: 70,000 hour rated life
- :: IP65, providing a reliable weather-tight seal
- :: 7-year warranty



LED WALL MOUNT CYLINDER LIGHTS

CATALOG NO.	DESCRIPTION	WATTS	LUMENS	COLOR TEMP	DIMENSIONS
WMC-DL-MCT-BR-DT	Down light	15W	1200LM	3000K/4000K/5000K	4" x 8" x 5-3/4"
WMC-DL-MCT-BN-DT	Down light	15W	1200LM	3000K/4000K/5000K	4" x 8" x 5-3/4"
WMC-UDL-MCT-BR-DT	Up/Down light	30W	2400LM	3000K/4000K/5000K	4" x 12" x 5-3/4"
WMC-UDL-MCT-BN-DT	Up/Down light	30W	2400LM	3000K/4000K/5000K	4" x 12" x 5-3/4"