

BR30 Series

LED Reflector Lamps

Product Description

The Cree® LED BR30 flood light offers high quality 90+ CRI light in a durable SMT bulb. The perfect replacement for incandescent bulbs in track and recessed fixtures, Cree LED bulbs are dimmable with most standard dimmers. Cree's Energy Star rated LED BR30 flood lights use at least 88% less energy than incandescent lamps and are designed to deliver up to 35,000 hours of light for residential or commercial applications.

Performance Summary

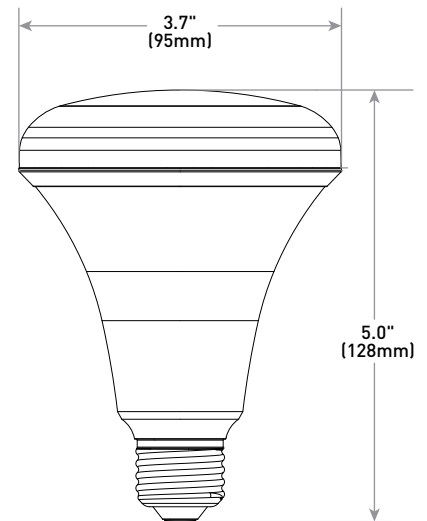
Lamp Delivered Light Output: 665-1,600 lumens
Input Power: 8.8 watts (65W equivalent), 15-16.5 watts (100W equivalent)
CRI: 90+
CCT: BR30 65W equiv. 2700K, 3000K, and 4000K; BR30 100W equiv. 2700K and 5000K
Limited Warranty*: 5 years Commercial use
Lifetime: Designed to last at least 35,000 hours (65W equivalent) or 25,000 hours (100W equivalent)
Dimming: Dimmable to 5% with select dimmers*
ENERGY STAR® Certified
Available for ordering as individual units (MC=12)

* See <http://lighting.cree.com/warranty> for warranty terms
 * See <http://lighting.cree.com> For Dimmer Information

65W



100W



Ordering Information

Example: BR30-65W-27K-U1

BR30						U1
Product	Watt Equivalent	CCT	Voltage	Base	CRI	Packaging Options
BR30	65W 65 Watt, 665 lumens 100W 100 Watt, 1500-1600 lumens	27K 2700K 30K 3000K - Available with 65W only 50K 5000K - Available with 100W only	Blank 120 Volt	Blank E26 (screw base)	Blank 90 CRI	U1 Single-Lamp Carton Master Carton = (12) Single-Lamp Cartons



Rev. Date: V12 10/04/2018



BR30 Series LED Reflector Lamps

Product Specifications

CONSTRUCTION & MATERIALS

- BR30 reflector bulb design
- 65W equivalent weighs 5.6 ounces (159g); 100W equivalent weighs 10.4 ounces (294g)
- Reflector bulb meets ANSI standards for BR30 dimensions
- Uses a standard E26 screw base
- Mercury free
- **Dimensions:** 5.0" H x 3.75" W x 3.75" D (Single-Lamp Carton); 6.0" H x 12.0" W x 15.75" D (Master Carton)

OPTICAL SYSTEM

- Plastic lens offers increased optical spread

ELECTRICAL SYSTEM

- **Power Factor:** > 0.9 nominal
- **Input Voltage:** 120V, 60Hz
- **Dimming:** Dimmable to 5% with select dimmers. Refer to <https://www.cree.com/viewcontent.asp?qv=1&docid=5344> for additional details
- **Operating Temperature Range:** -25°C - +45°C (-13°F - +113°F)

REGULATORY & VOLUNTARY QUALIFICATIONS

- cULus Listed
- Suitable for damp locations, but not for use where exposed directly to weather or water
- Suitable for use in enclosed light fixtures. Lifetime may be reduced if used in air tight enclosures or in insulated ceiling air tight (ICAT) recessed downlight enclosures
- ENERGY STAR® certified. Please refer to <http://www.energystar.gov/productfinder/product/certified-light-bulbs/> results for most current information
BR30-65W-27K-U1
BR30-65W-30K-U1
BR30-65W-40K-U1
BR30-100W-27K-U1
BR30-100W-50K-U1
- Meets California Title 20 requirements
- Meets FCC Part 15, Subpart B, Class B standards for conducted and radiated emissions
- RoHS compliant. Consult factory for additional details
- **CA RESIDENTS WARNING:** Cancer and Reproductive Harm - www.p65warnings.ca.gov

Packaging

(12) Single-Lamp Cartons in Master Carton (12 Total Lamps)



Ordering Number	Single-Lamp Carton UPC	Description	Bulb Type	Watts	CCT	Single-Lamp Cartons per Master Carton	Master Carton ITF-14	Total Lamps per Master Carton	Master Cartons per Pallet Qty	CRI	Lumens	Rated Life (Hrs)
BR30-65W-27K-U1	849665019947	65W Soft White BR30 Equivalent	BR30	8.8	2700K	12	10849665019944	12	63	90	665	35,000
BR30-65W-30K-U1	849665020028	65W Daylight BR30 Equivalent	BR30	8.8	3000K	12	10849665020025	12	63	90	665	35,000
BR30-65W-40K-U1	849665020042	65W Daylight BR30 Equivalent	BR30	8.8	4000K	12	10849665020049	12	63	90	665	35,000
BR30-100W-27K-U1	849665019022	100W Soft White BR30 Equivalent	BR30	16.5	2700K	12	10849665019029	12	63	90	1500	25,000
BR30-100W-50K-U1	849665019039	100W Daylight BR30 Equivalent	BR30	15	5000K	12	10849665019036	12	63	90	1600	25,000