



Catalog Number
Notes
Type

Contractor Select™
Lithonia LBR
 Retrofit Downlight



LBR retrofit downlight offers a seamless install-from-below design, abundant energy savings, glare-free aesthetics, and mounting frame options for any renovation or new construction project.

FEATURES:

- 55° cutoff
- 90-100 Lumens/Watt typical
- 1.0 Spacing/Mounting Height ratio
- Open wallwash kicker also available
- MVOLT (120-277V 0-10V & 120V phase dimming combo driver) dims to 10%
- Available in 1000lm, 1500lm, or 2000lm



Catalog Number	UPC	Description	Replaces Up To	Lumens	Input Watts	CCT	CRI	Voltage	Pallet Quantity	Finish	Flange Range
LBR4 ALO2 SWW1 AR LSS MWD MVOLT UGZ QDS	194994822912	4" Retrofit, switchable CCT/Lumens, 10% dimming 0-10V/phase dimming, quick disconnects	1/42TRT or 2/26TRT	1000-1500-2000	13-19-25W	3000-3500-4000-5000K	80	MVOLT (120-277V)	180	Clear, Semi-specular	5-7/16"
LBR6 ALO2 SWW1 AR LSS MWD MVOLT UGZ QDS	194994825081	6" Retrofit, switchable CCT/Lumens, 10% dimming 0-10V/phase dimming, quick disconnects	1/42TRT or 2/26TRT	1000-1500-2000	13-19-25W	3000-3500-4000-5000K	80	MVOLT (120-277V)	180	Clear, Semi-specular	7-5/8"
LBR8 ALO2 SWW1 AR LSS MWD MVOLT UGZ QDS	194994827757	8" Retrofit, switchable CCT/Lumens, 10% dimming 0-10V/phase dimming, quick disconnects	1/42TRT or 2/26TRT	1000-1500-2000	13-19-25W	3000-3500-4000-5000K	80	MVOLT (120-277V)	120	Clear, Semi-specular	9-3/16"

Accessories: Order as separate catalog number.

Catalog Number	UPC	Description
LBR4PF	194994812180	4" new construction frame
LBR6PF	194994812227	6" new construction frame
LBR8PF	194994812296	8" new construction frame
LBRGR56WR J10	194994622758	5-6" goof ring job pack of 10 for use with LBR4
LBRGR78WR J10	194994622819	7-8" goof ring job pack of 10 for use with LBR6
LBRGR910WR J10	194994622871	9-10" goof ring job pack of 10 for use with LBR8
LBRGR56WR U	194994622741	5-6" goof ring unit pack for use with LBR4
LBRGR78WR U	194994622802	7-8" goof ring unit pack for use with LBR6
LBRGR910WR U	194994622864	9-10" goof ring unit pack for use with LBR8



Specifications

INTENDED USE:

Typical applications include corridors, lobbies, conference rooms and private offices.

CONSTRUCTION:

Retrofit, remodel, and new construction mounting types. See table for compatible ceiling openings and thickness range.

Optional goof rings available for additional overlap trim coverage.

1/2"-1-1/2" ceiling thickness

25° ambient temperature

OPTICS:

55° cutoff

New construction frame accessories approved for 8 (4 in/4 out) No. 12 AWG conductors rated for 90°C through wiring.

1.0 S/MH standard

80CRI standard

ELECTRICAL:

Adjustable lumen output for 1000-1500-2000lms

MVOLT 120/277V 50/60Hz driver (0-10V & 120V Phase Dimming to 10% min dimming level)

100LPW typical

L80 at 60,000 hours

3 SDCM

LISTINGS:

Certified to US and Canadian safety standards. Damp location standard. Some configurations are ENERGY STAR® certified, please visit www.energystar.gov for specific products. TAA compliant.

WARRANTY:

5-year limited warranty. Complete warranty terms located at:

www.acuitybrands.com/support/warranty/terms-and-conditions

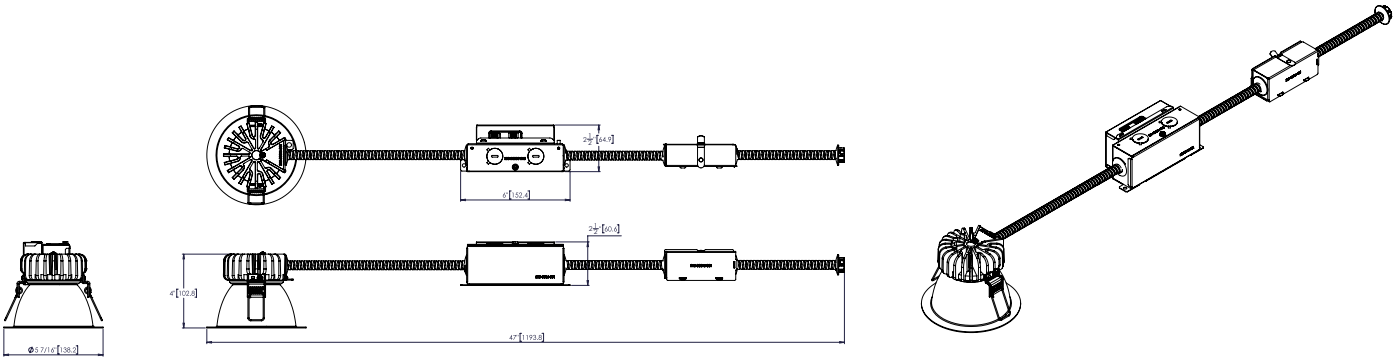
Note: Actual performance may differ as a result of end-user environment and application.

All values are design or typical values, measured under laboratory conditions at 25 °C.

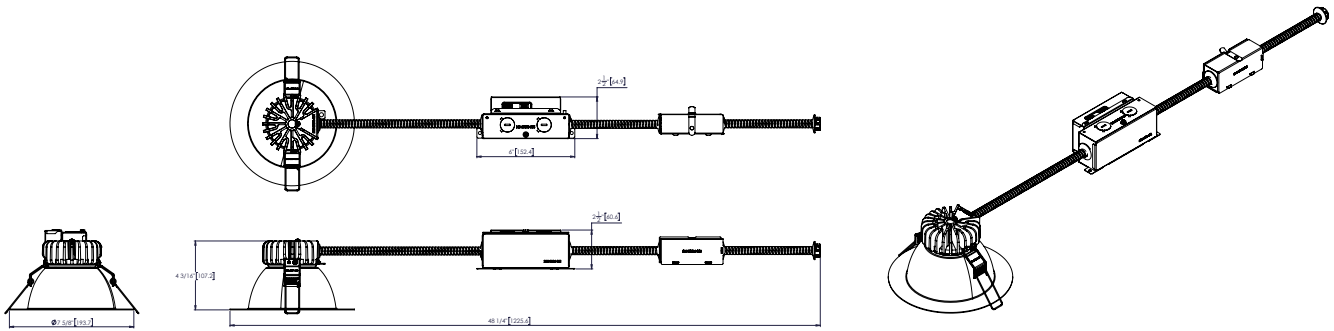
Specifications subject to change without notice.



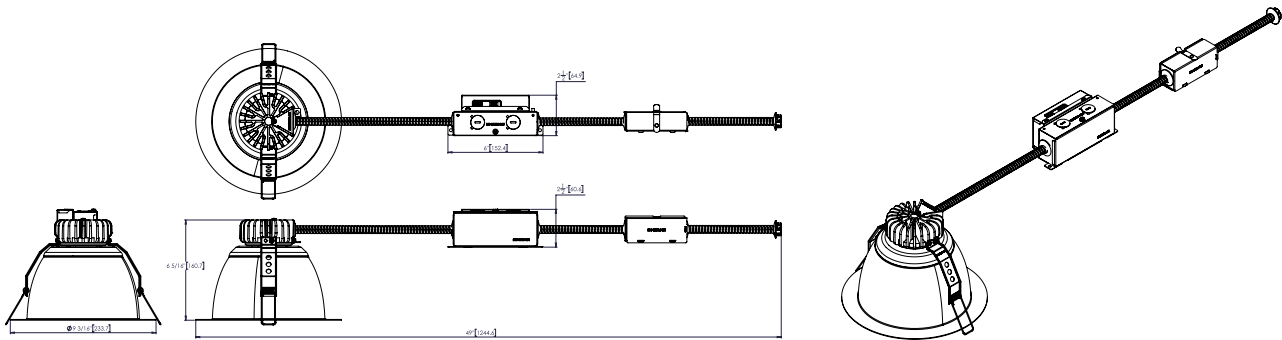
Dimensions



LBR4 SWW1 AL0x xx xxx MVOLT UGZ QDS



LBR6 SWW1 AL0x xx xxx MVOLT UGZ QDS

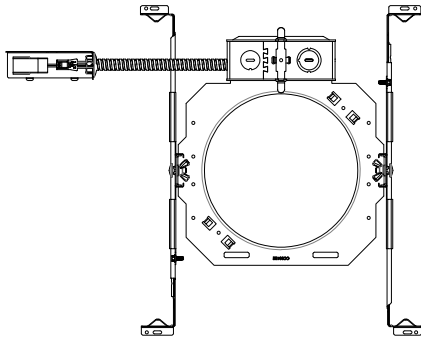


LBR8 SWW1 AL0x xx xxx MVOLT UGZ QDS

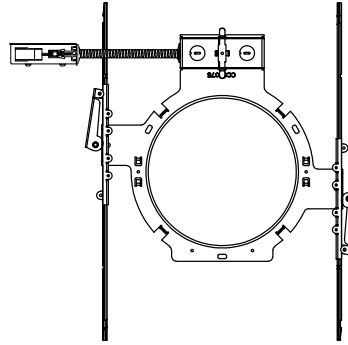
All dimensions are inches (centimeters) unless otherwise indicated.



Dimensions



4" & 6" New Construction Frame, QDS



8" New Construction Frame, QDS

Aperture Size	Ceiling Cutout
4 in	5-1/8"
6 in	7-1/8"
8 in	8-3/4"

All dimensions are inches (centimeters) unless otherwise indicated.