

Project _____
 Schedule _____ Date _____
 Notes _____

DESCRIPTION

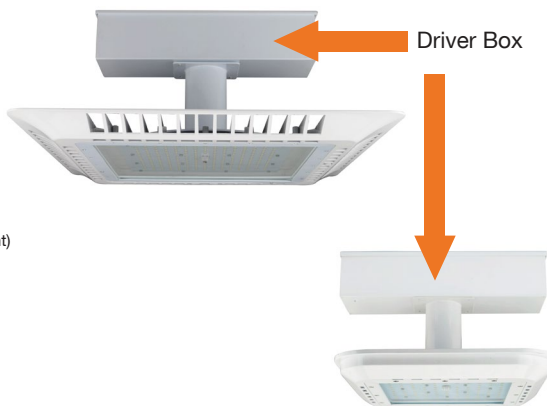
naturalLED® Gas Station Canopy (GSC) Is designed to replace existing single deck under canopy metal halide light fixtures in gas station canopies easily and cost-efficiently. Our LED Gas Station Canopy provides advantages such as longer life, lower energy consumption and better lighting characteristics while eliminating maintenance with 50,000+ hours of rated lamp life. The housing is constructed of heavy-duty aluminum. Fixtures are finished with a durable white polyester powder coating to ensure weather-tight protection, the optical assembly is sealed with a silicone gasket and are DLC certified with an IP65 rating.



FEATURES

- DLC Premium Qualified
- IP65 Rated
- Long life LED chips
- Uniform and consistent color
- Excellent thermal design
- Material and Finish
 - Aluminum Die-cast
 - Tempered Glass (Thermal, Shock & Impact Resistant)
- Designed for single deck canopy
- Input line voltage: 120-277V
- Powerfactor >0.9
- CRI: 80
- Beam Angle: 115°
- Operating temperature: -40°F ~ 140°F
- 50,000 hrs rated average life

INCLUDED WITH FIXTURE



APPLICATIONS

- Gas Station Lighting
- Ceiling Lighting
- Pathway Lighting
- Parking and Garage Structures
- Security Lighting

WARRANTY

- 5 Year Warranty

Ordering Information		EXAMPLE: LED-FXGSC45/50K/WH			
LED	FX	GSC	45	50K	WH
LED	Category FX Fixture	Series GSC Gas Station Canopy	Wattage 45 45W	Color Temp 50K 5000K	Color WH White

ORDERING

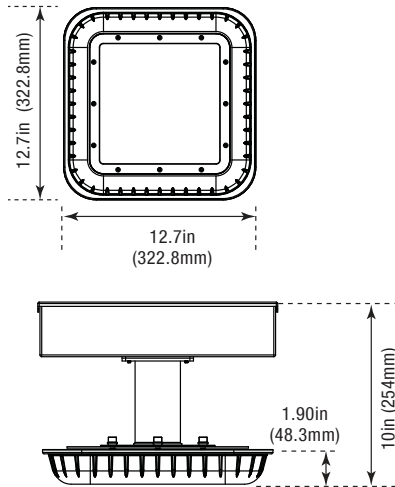
*P= Premium DLC / *S = Standard DLC

Watts (W)	Ordering Code	Description	Color Temp (K)	Lumens (lm)	Equiv. Wattage (W)	Beam Angle	Rated Hrs	IP65 Rated	DLC (S/P)
46	7440	LED-FXGSC45/50K/WH	5000K	5,513	250W	115°	50,000	•	P
75	7441	LED-FXGSC75/50K/WH	5000K	8,997	320W	115°	50,000	•	P
104	7553	LED-FXGSC100/50K/WH	5000K	13,279	400W	115°	50,000	•	P
150	7555	LED-FXGSC150/50K/WH	5000K	20,041	>400W	115°	50,000	•	P

SPECIFICATIONS

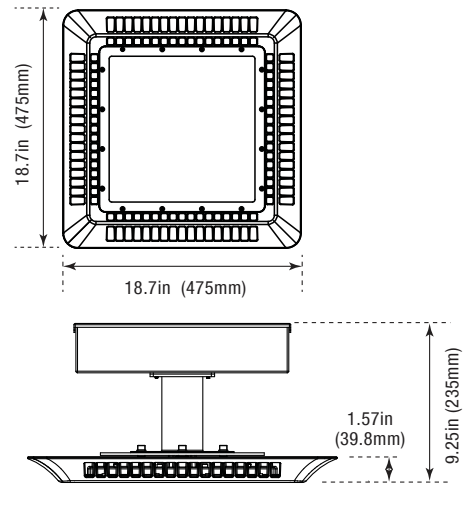
46W/75W

Weight: 15-lbs



104W/150W

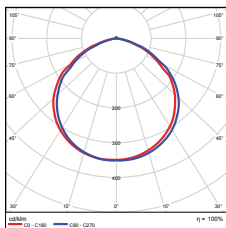
Weight: 24-lbs



PHOTOMETRICS CHART

GSC45

DLC Premium

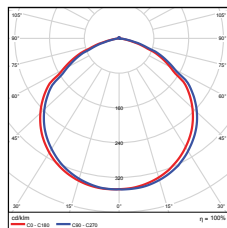


Illuminance at a Distance			
Center Beam (L)	Beam Width (L)	Beam Width (R)	Beam Width (T)
5.0ft	79.5 fc	15.4 ft	15.3 ft
10.0ft	19.9 fc	30.8 ft	30.7 ft
15.0ft	8.83 fc	46.2 ft	46.0 ft
20.0ft	4.97 fc	61.6 ft	61.3 ft
25.0ft	3.18 fc	77.0 ft	76.7 ft
30.0ft	2.21 fc	92.4 ft	92.0 ft

■ Vert. Spread: 114.1°
■ Horiz. Spread: 113.8°

GSC75

DLC Premium

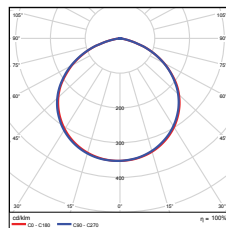


Illuminance at a Distance			
Center Beam (L)	Beam Width (L)	Beam Width (R)	Beam Width (T)
5.0ft	116 fc	15.6 ft	15.5 ft
10.0ft	29.1 fc	31.2 ft	31.1 ft
15.0ft	12.9 fc	46.7 ft	46.6 ft
20.0ft	7.27 fc	62.3 ft	62.2 ft
25.0ft	4.65 fc	77.9 ft	77.7 ft
30.0ft	3.23 fc	93.5 ft	93.3 ft

■ Vert. Spread: 114.6°
■ Horiz. Spread: 114.5°

GSC100

DLC Premium

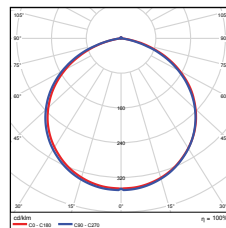


Illuminance at a Distance			
Center Beam (L)	Beam Width (L)	Beam Width (R)	Beam Width (T)
5.0ft	178 fc	15.4 ft	15.5 ft
10.0ft	44.5 fc	30.9 ft	31.0 ft
15.0ft	19.8 fc	46.3 ft	46.5 ft
20.0ft	11.1 fc	61.7 ft	61.9 ft
25.0ft	7.12 fc	77.2 ft	77.4 ft
30.0ft	4.94 fc	92.6 ft	92.9 ft

■ Vert. Spread: 114.1°
■ Horiz. Spread: 114.3°

GSC150

DLC Premium



Illuminance at a Distance			
Center Beam (L)	Beam Width (L)	Beam Width (R)	Beam Width (T)
5.0ft	217 fc	15.5 ft	15.7 ft
10.0ft	54.2 fc	31.0 ft	31.4 ft
15.0ft	24.1 fc	46.5 ft	47.2 ft
20.0ft	13.5 fc	62.0 ft	62.9 ft
25.0ft	8.67 fc	77.5 ft	78.6 ft
30.0ft	6.02 fc	93.0 ft	94.3 ft

■ Vert. Spread: 114.4°
■ Horiz. Spread: 115.1°

PACKAGE

Master Pack: 1 pc

