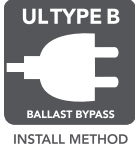


# LOW BAY RETROFITS



## pinpoint light distribution



- 45W and 75W models replacing up to 250W HID
- 120° light distribution with angled LED panels deliver light where it is needed most
- Includes a fan and thermal sensor to run cool and ensure a long and bright life
- Rated for enclosed fixtures and damp locations with an insect and dust resistant housing
- USA designed and specified driver

designed from the base up with DLC qualifications in mind



PART #	UPC	REPLACES	WATTAGE	LUMENS	CCT (K)*	BASE
LED-8056E50-A	844006047177	175W	45W	6525	5000K	E26
LED-8056M50-A	844006082888	175W	45W	6525	5000K	EX39
LED-8057M50-A	844006082901	250W	75W	9236	5000K	EX39

\*See page 2 for additional color temperatures.

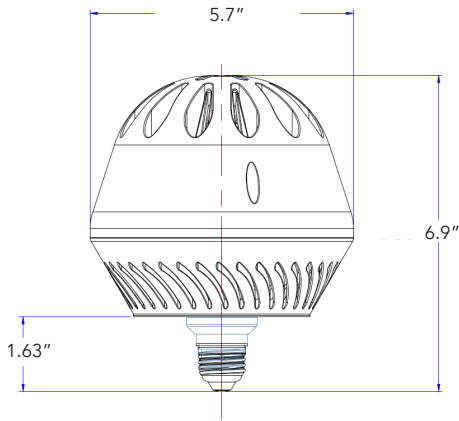
\*\*See page 2 for 347V models.



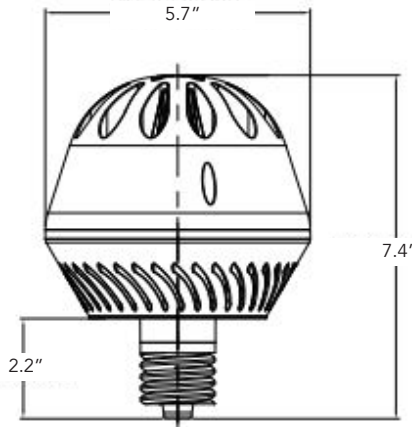
# LOW BAY RETROFITS



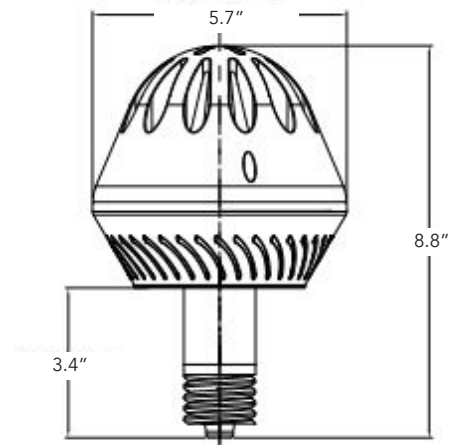
LED-8056E



LED-8056M



LED-8057M



## ORDERING GUIDE

PART #	UPC	REPLACES	WATTAGE	LUMENS	CCT (K)	BASE	DLC CODE
LED-8056E40-A	844006047153	175W HID	45W	5334	4000K	E26	N/A
LED-8056E50-A	844006047177	175W HID	45W	5560	5000K	E26	N/A
LED-8056M40-A	844006082871	175W HID	45W	5334	4000K	EX39	P785KZYS
LED-8056M50-A	844006082888	175W HID	45W	5560	5000K	EX39	PY2VZEB6
LED-8057M40-A	844006082895	250W HID	75W	10500	4000K	EX39	P41LABR0
LED-8057M50-A	844006082901	250W HID	75W	10875	5000K	EX39	PPQY9L0Q

🇨🇦 347 VOLT OPTIONS FOR CANADA 🇨🇦

PART #	UPC	REPLACES	WATTAGE	LUMENS	CCT (K)	BASE	DLC CODE
LED-8056E40C-A	844006047160	175W HID	45W	5334	4000K	E26	N/A
LED-8056E50C-A	844006047184	175W HID	45W	5560	5000K	E26	N/A
LED-8056M40C-A	844006031749	175W HID	45W	5334	4000K	EX39	PZZDKQ2R
LED-8056M50C-A	844006082925	175W HID	45W	5560	5000K	EX39	PTIOSXLW
LED-8057M40C-A	844006082932	250W HID	75W	10500	4000K	EX39	P3I2SR2G
LED-8057M50C-A	844006082949	250W HID	75W	10875	5000K	EX39	PMSZPZGP

