

<b>Project:</b>	<b>Type:</b>	<b>Prepared By:</b>	<b>Date:</b>
-----------------	--------------	---------------------	--------------



**Features and Benefits**

- BALLAST COMPATIBLE - Uses existing ballast
- INSTANT ON - No warm-up time required
- HIGH EFFICACY- Provides same output as fluorescent, but uses far less energy
- 50,000-HOUR LIFESPAN - Lasts 2-3X longer than conventional lamps
- MERCURY FREE - Environmentally friendly vs fluorescent technologies
- ENCLOSED FIXTURE RATED - May be used in both enclosed and open fixtures

Technical Specifications		
<b>Technical Specifications</b>		
<b>Product Type:</b> Compact	<b>Efficacy:</b> 115 lm/W	<b>Dimmable:</b> No
<b>Bulb Shape:</b> PLT-V	<b>Color Temperature:</b> 5000K Daylight	<b>Beam Angle:</b> 100°
<b>Finish:</b> Frosted	<b>CRI:</b> 82	<b>Warranty:</b> 5-Year, No-Compromise Warranty
<b>Wattage:</b> 16WW	<b>Base Type:</b> GX24q	<b>Installation Type:</b> Type A, Plug and Play
<b>Wattage Equivalency:</b> 42WW Fluorescent	<b>L70 Lifespan:</b> 50,000 hours	<b>Installation Orientation:</b> Vertical
<b>Typical Lumen Output:</b> 1850	<b>Operating Temperature:</b> -20°C - 45°C	

## Technical Specifications (continued)

### Technical Specifications

**For Use in Emergency Fixtures:**

No

**For Use Outdoors in Open Fixtures:**

No

### Electrical Characteristics

**Input Voltage:**

Ballast Dependent

**Power Factor:**

Ballast Dependent

**Operating Frequency:**

Ballast Dependent

**Input Current @ 120V:**

Ballast Dependent

**Input Current @ 277V:**

Ballast Dependent

### Listings

**UL Listed:**

Yes

**DLC Listed:**

This product is on the Design Lights Consortium (DLC) Qualified Products List and is eligible for rebates from DLC Member Utilities.

**DLC Model Number:**

T10099

**DLC Product Code:**

PEC7VHPI

**CEC Status:**

Lawful for sale in California

**Application:**

Suitable for damp locations and totally enclosed fixtures.

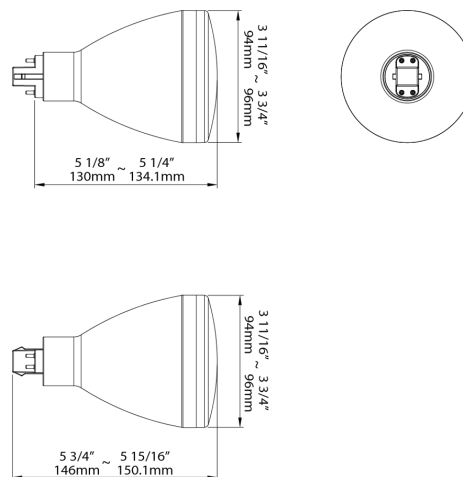
**Other**

:

## Case and Pallet Dimensions

	QTY	LENGTH (in)	WIDTH (in)	HEIGHT (in)
<b>CASE</b>	20	20.5	13.8	8.7
<b>PALLET</b>	600	44.1	41.3	41.7

## Dimension



## Light Distribution

