

Project:

Type:

Prepared By:

Date:



UPC: 019813832913



Features and Benefits

- HID REPLACEMENT - Replace conventional HID lamps
- BALLAST BYPASS - Internal driver eliminates the need for external driver or ballast
- COMPACT DESIGN - Allows the lamp to fit in most fixtures
- INSTALLATION ORIENTATION - Lamps can be installed universally: base up, down or sideways
- HEAT DISSIPATION - Thermal technology extends lifespan
- WATER & DUST RESISTANT - Ideal for outdoor fixtures
- ENCLOSED FIXTURE RATED - May be used in enclosed and open fixtures
- ENERGY SAVINGS - Uses 76% less energy than traditional lamps
- MERCURY FREE - Environmentally friendly vs fluorescent technologies
- 350° ROTATABLE BASE - Direct light where needed

Technical Specifications

Technical Specifications

Product Type:

HID

Bulb Shape:

Wall Pack

Wattage:

20W

Wattage Equivalency:

100W HID

Typical Lumen Output:

3000

Efficacy:

150 lm/W

Color Temperature:

3000K Warm White

CRI:

80

Base Type:

E26

L70 Lifespan:

50,000 hours

Operating Temperature:

-30°C - 60°C

Dimmable:

No

Beam Angle:

180°

Warranty:

5-Year, No-Compromise Warranty

Installation Type:

Type B, Ballast Bypass

Installation Orientation:

Universal Installation

For Use in Emergency Fixtures:

No

Technical Specifications (continued)

Technical Specifications

For Use Outdoors in Open Fixtures:

No

Electrical Characteristics

Input Voltage:

100-277V

Power Factor:

>0.9

Operating Frequency:

50 / 60 Hz

Input Current @ 120V:

0.2mA

Flicker:

<30%

THDi:

<20%

Listings

UL Listed:

Yes

UL Classified:

Yes

DLC Product Code:

NO DLC CATEGORY

CEC Status:

Lawful for sale in California

Other

:

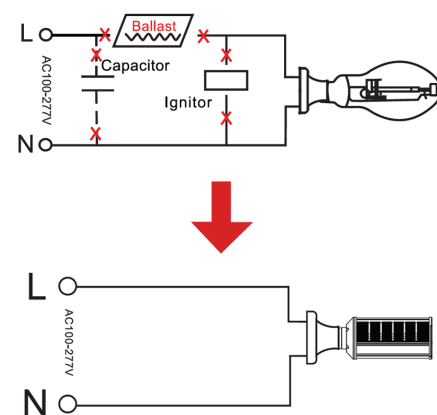
Minimum Compartment Size

Length x Width x Height [in]	Lamp Quantity
6.0 x 6.0 x 8.5	1

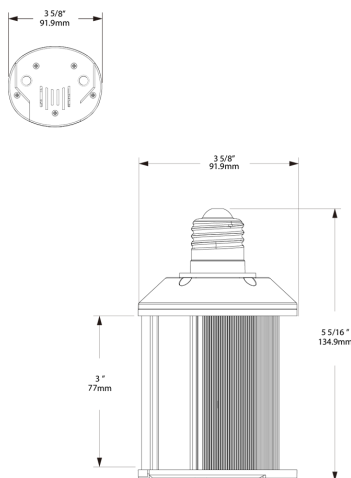
Case and Pallet Dimensions

	QTY	LENGTH (in)	WIDTH (in)	HEIGHT (in)
CASE	12	15.2	11.6	8.1
PALLET	540	45.1	37.4	47.2

Wiring Diagram



Dimension



Light Distribution

