

**Project:**

**Type:**

**Prepared By:**

**Date:**



UPC: 019813834085



## Features and Benefits

**HID REPLACEMENT** - Replace conventional HID lamps

**BALLAST BYPASS** - Internal driver eliminates the need for external driver or ballast

**50,000-HOUR LIFESPAN** - Lasts 25x the life of conventional HID lamps

**ENERGY SAVINGS** - Uses 76% less energy than traditional lamps

**HEAT DISSIPATION** - Thermal technology extends lifespan

**WATER & DUST RESISTANT** - Ideal for warehouse applications

**ENCLOSED FIXTURE RATED** - May be used in enclosed and open fixtures

**MERCURY FREE** - Environmentally friendly

**SURGE PROTECTION** - Includes 4kV surge protection

## Technical Specifications

### Technical Specifications

**Product Type:**

HID

**Bulb Shape:**

High Bay

**Wattage:**

135W

**Wattage Equivalency:**

400W/600W HID

**Typical Lumen Output:**

20000

**Efficacy:**

148 lm/W

**Color Temperature:**

5000K Daylight

**CRI:**

80

**Base Type:**

EX39

**L70 Lifespan:**

50,000 hours

**Operating Temperature:**

-20°C - 45°C

**Dimmable:**

No

**Beam Angle:**

90°

**Warranty:**

5-Year, No-Compromise Warranty

**Installation Type:**

Type B, Ballast Bypass

**Installation Orientation:**

Vertical

**For Use in Emergency Fixtures:**

No

## Technical Specifications (continued)

### Technical Specifications

#### For Use Outdoors in Open Fixtures:

No

### Electrical Characteristics

#### Input Voltage:

120-277V

#### Power Factor:

0.9

#### Operating Frequency:

50 / 60 Hz

#### Input Current @ 120V:

1109mA

#### Input Current @ 277V:

598mA

### Listings

#### UL Recognized:

Yes

#### UL Classified:

Yes

#### DLC Listed:

This product is on the Design Lights Consortium (DLC) Qualified Products List and is eligible for rebates from DLC Member Utilities.

#### DLC Model Number:

H10016

#### DLC Product Code:

P9Y4XR8E

#### CEC Status:

Lawful for sale in California

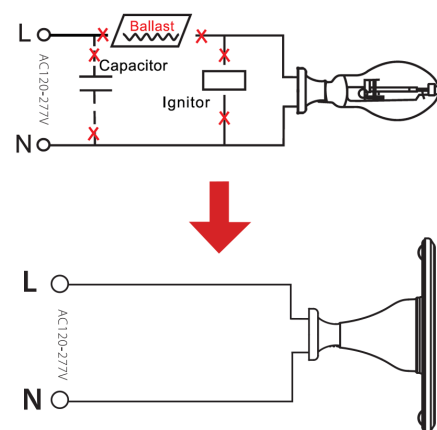
#### Other

:

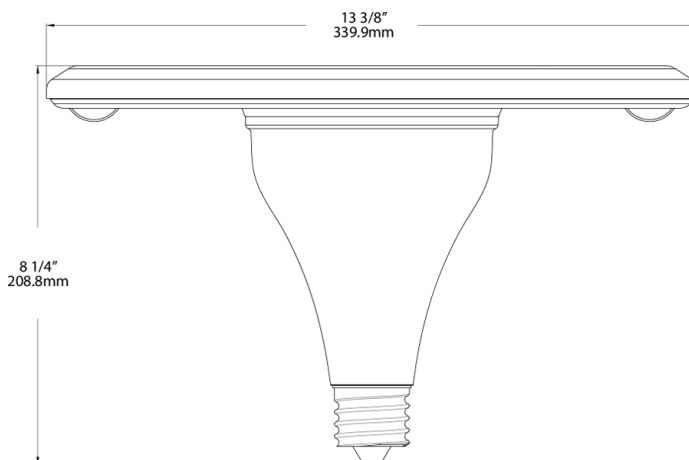
## Case and Pallet Dimensions

	QTY	LENGTH (in)	WIDTH (in)	HEIGHT (in)
<b>CASE</b>	2	15	15.2	18.1
<b>PALLET</b>	36	46.9	47.3	37.8

## Wiring Diagram



## Dimension



## Light Distribution

