

**Project:**

**Type:**

**Prepared By:**

**Date:**



UPC: 019813833026



### Features and Benefits

- HID REPLACEMENT - Replace conventional HID lamps
- BALLAST BYPASS - Internal driver eliminates the need for external driver or ballast
- COMPACT DESIGN - Allows the lamp to fit in most fixtures
- INSTALLATION ORIENTATION - Lamps can be installed universally: base up, down or sideways
- HEAT DISSIPATION - Thermal technology extends lifespan
- WATER & DUST RESISTANT - Ideal for outdoor fixtures
- ENCLOSED FIXTURE RATED - May be used in enclosed and open fixtures
- ENERGY SAVINGS - Uses 76% less energy than traditional lamps
- MERCURY FREE - Environmentally friendly vs fluorescent technologies
- 350° ROTATABLE BASE - Direct light where needed

## Technical Specifications

### Technical Specifications

**Product Type:**

HID

**Bulb Shape:**

Wall Pack

**Wattage:**

30W

**Wattage Equivalency:**

150W HID

**Typical Lumen Output:**

4650

**Efficacy:**

155 lm/W

**Color Temperature:**

5000K Daylight

**CRI:**

80

**Base Type:**

EX39

**L70 Lifespan:**

50,000 hours

**Operating Temperature:**

-30°C - 60°C

**Dimmable:**

No

**Beam Angle:**

180°

**Warranty:**

5-Year, No-Compromise Warranty

**Installation Type:**

Type B, Ballast Bypass

**Installation Orientation:**

Universal Installation

**For Use in Emergency Fixtures:**

No

## Technical Specifications (continued)

### Technical Specifications

#### For Use Outdoors in Open Fixtures:

No

### Electrical Characteristics

#### Input Voltage:

100-277V

#### Power Factor:

>0.9

#### Operating Frequency:

50 / 60 Hz

#### Input Current @ 120V:

0.3mA

#### Flicker:

<30%

#### THDi:

<20%

### Listings

#### UL Listed:

Yes

#### UL Classified:

Yes

#### DLC Listed:

This product is on the Design Lights Consortium (DLC) Qualified Products List and is eligible for rebates from DLC Member Utilities.

#### DLC Model Number:

H10014

#### DLC Product Code:

PDA0B4IG

#### CEC Status:

Lawful for sale in California

#### Other

:

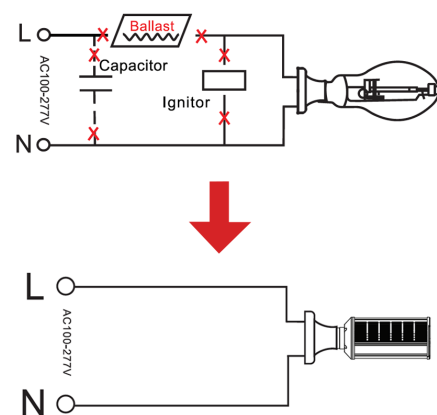
## Minimum Compartment Size

Length x Width x Height [in]	Lamp Quantity
8.0 x 8.0 x 11.0	1

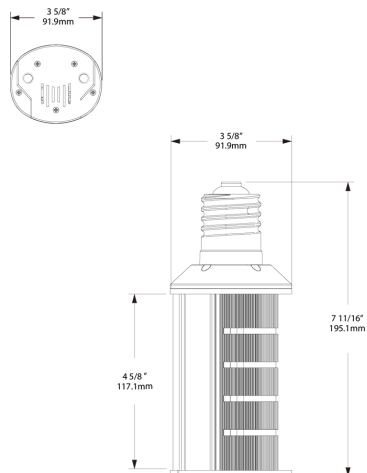
## Case and Pallet Dimensions

	QTY	LENGTH (in)	WIDTH (in)	HEIGHT (in)
CASE	12	16.7	12.7	10
PALLET	288	44.6	35.4	39.4

## Wiring Diagram



## Dimension



## Light Distribution

