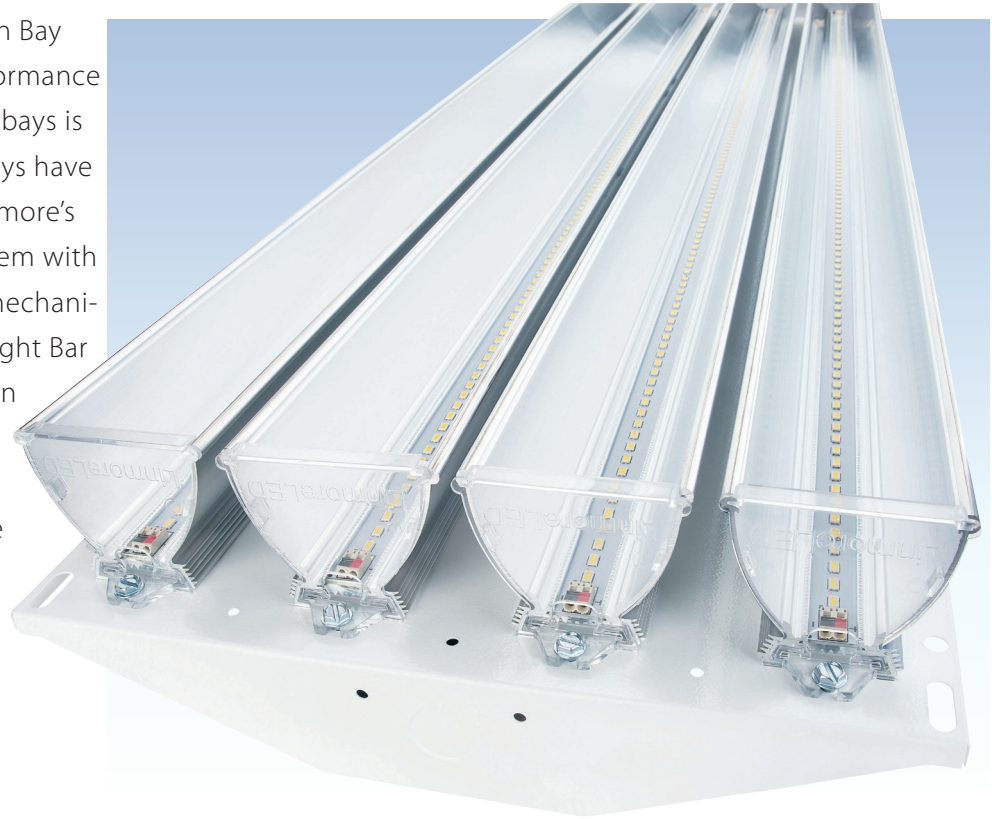




## HIGH PERFORMANCE HIGH BAY (HPH) \*U.S. PATENT NO. 9,752,735

**Linmore LED Labs** High Performance High Bay (HPH) is a formidable combination of performance and value. A key differentiator in LED high bays is highly effective optics. While most high bays have bare LEDs and no optics, the HPH uses Linmore's patented ParaBar™ High Bay Light Bar System with high efficacy LEDs on an aluminum strip mechanically bonded to the aluminum extruded Light Bar with parabolic, highly reflective sides. When the objective is to maximize value in your purchasing dollar with high light levels per Watt and Dollar of Capital, the Linmore HPH is the clear choice.



### HIGHLIGHTS

#### Optics

- ParaBars™ Light Bars (\*Covered under U.S. Patent No. 9,752,735)
- Highly Engineered Parabolic Shape
- 98% Reflective Siding
- Clear, Polycarbonate End Caps

#### Efficacy

- >134 Lumens/Watt Delivered

#### Construction

- ParaBar™: Extruded Aluminum
- LED Driver Enclosure: Aluminum
- No Glass
- No Mercury
- No UV Light

#### Thermal Dissipation

- Air Cavity Heat Transfer System (patented)
- Extruded Aluminum ParaBars™

#### Ease of Ownership

- Wide Open Access to Components
- Warranty: 14 Years Light Bar / 10 Years Driver
- Adaptive: Add or Remove ParaBars™ as area needs change over time

#### Electrical

- Integral Surge Suppression, 20KA (optional)
- 0-10V Dimming
- Aluminum Driver Housing
- 6' SO Cord Included

#### Controls

- 0 -10V Dimming
- Optional: Occupancy Sensor, Wet Rated

## Efficacy:

- Only highest performance diodes for ultra-high Lumens/Watt
- Elongated LEDs for superior consistency of light distribution

## Thermal Dissipation:

- The heat sink extrusion is made of 6063 T5 Aluminum with substantial fins & surface area for superior heat dissipation
- Patented Air Flow Cavity under LED PCB allows dissipated heat to leave the URS area
- Interior PCB Board is made of aluminum core and mechanically bonded to the aluminum extrusion heat sink

## Optics:

- Parabolic shape reflectors for consistent light distribution
- 98% Reflective material lines the ParaBar™ for maximum delivered lumens
- Glass Free

## Specifications

Suitability	Dry or Damp Locations
Warranty	14 Years Light Bar / 10 Years Driver
Expected Life	> 102,000 Hours L90
Driver	0-10 Volt Dimmable
System Wattages (driver dependent)	72-264 Watts
Efficacy (5000K)	>134 Lumens/Watt (+/- 10%)
Voltage	100-277 Volts AC, 347/480V Avail
Color Rendering Index (CRI)	82
Color Temperature	3500K, 4100K or 5000K
Dimensions	11.25"W x 48.5"L x 5.5"D 15.5"W x 48.5"L x 5.5"D
Extrusion Material	6063 T5 Aluminum
Operating Temperature	-40F - 135F
Power Factor	0.99
Certifications	DLC Premium, UL1598,FCC CFR 47, Part 15, ROHS, CUL (Canada)
Total Harmonic Distortion (THD)	< 9% (277 Volt)
Design Lights Consortium	Yes, Premium

## Ordering Information

Model	Kelvin	No. of ParaBars™	Wattage	Lumens	SO Cord Length	Options
LL-HPH-	3500 (35K)	2	72	10038	6'	OS Occupancy Sensor: Wattstopper HBP-111
	4100 (41K)	2	88	11768	11'	DF Diffuser: 94% Transmission Glare Reduction
	5000 (50K)	3	110	14300	15'	TF Transformer: 480v to 277v Internal
		3	132	17160		UL Uplight: 2' Linmore URS Light Bar 15 Watts
		4	176	22800		EM Emergency Battery BackUp, 25 Watts
		6	264	34320		

## Example

LL-HPH - 50K - 4 - 144 - 15

## Installation Methods

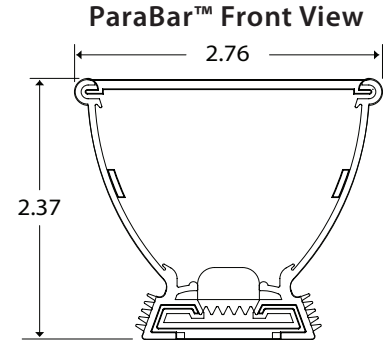
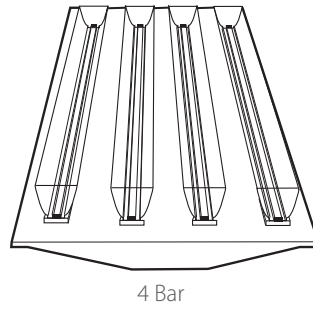
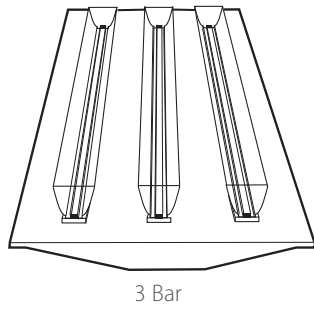
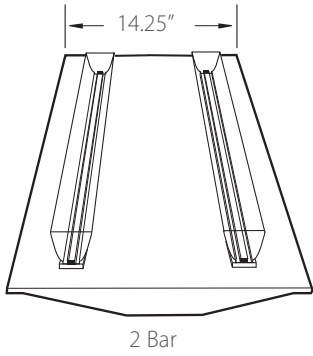
- Aircraft Cable Assembly
- Rigid Mount Brackets

Weight: 18 lbs.



\*U.S. Patent No. 9,752,735.  
Specifications are Subject to Change.

**ParaBar™ Configurations**



**System Components**

DF	Diffuser: 94% Transmissive for Glare Reduction, per ParaBar™, must be factory installed
SSP-3-277-20KA-10YR	20ka Surge Suppressor plus 10 Year Driver Warranty Upgrade
11SO	11' SO Cord
15SO	15' SO Cord
TF250	General Electric Autotransformer 480 Volt to 277 Volt, <250 Watts
TF375	General Electric Autotransformer 480 Volt to 277 Volt, <375 Watts
EM25	Emergency Backup Driver with Battery, 25 watts output for >90 minutes, mounted to top of driver cover
ULB	Uplight Bar: 2' Linmore LED URS Bar at 15 watts mounted on top of fixture
LL-UPH-CABS	Aircraft Cable, universal yoke and toggle kit, 6' suspension cable adjustable to 1', sold in pairs
LL-UPH-RB-W	Rigid Mount Brackets, White, sold in pairs



\*U.S. Patent No. 9,752,735.  
Specifications are Subject to Change.