

FLD Series Technical Specifications



FLD Series LED Flood Light

General Product Description

The Jarvis FLD Series offers a cost-effective solution for a wide variety of flood lighting applications. Featuring an adjustable knuckle mounting arm and durable tempered glass lens, this luminaire provides long lasting and high-quality illumination.



FLD-4L



FLD-6L

Most Popular Models and Specifications:

Model	Description	Input	Power	Lumens	CCT	CRI	PF
FLD-4L-50K-UV-BRZ-KM	Flood Light w/ Knuckle Mount	120V 50/60Hz	40W	3,700	5000K	≥ 70	≥ 0.9
FLD-6L-50K-UV-BRZ-KM	Flood Light w/ Knuckle Mount	120V 50/60Hz	65W	6,906	5000K	≥ 70	≥ 0.9





Electrical

Input Voltage: 120V 50/60Hz

Power Factor: >.9 at full load

Total Harmonic Distortion: <20% full load

Includes over voltage protection, over current protection, and short circuit protection

Operating Temperature Range: -40°C to 40° C Ambient (-40°F to 104°F)

Controls and Dimming

The FLD Series is compatible with many photosensors. Contact a Jarvis representative for more information.

0-10V Dimming is not available for this series, if 0-10V dimming is a requirement please see the FL Series.

Construction and Materials

Housing is constructed from die-cast aluminum and features an adjustable knuckle mount.

Die-cast housing features a powdercoat finish with UV protection to ensure longevity of color. Powdercoat finish is applied directly to aluminum housing and will not crack or peel. Default color is bronze. Custom colors are available. Contact factory for additional color information.

LEDs are reflow soldered to a metal core circuit board, providing greater thermal transfer than standard circuit board materials.

Lens construction is tempered glass with Flood optics

Luminaire's construction contains zero mercury

Fasteners are stainless-steel and will not rust or create rust-streaks

Regulatory and Voluntary Qualifications

UL listed to UL1598 and UL8750 for both US and Canada

State of California Title 24 Compliant when installed in accordance with local requirements

DesignLights Consortium® (DLC) qualified product. Not all versions of this product may be DLC qualified. Please check the DLC Qualified Products List at www.designlights.org/QPL to confirm which versions are qualified.

Rated for Wet Locations



Warranty and Lifetime

FLD Series carries a 10-year warranty. Contact Jarvis representative for details.

Projected LED lifetime exceeds 54,000 hours under most operating conditions. Lifetime projections are calculated using data including LM-79, LM-80 and TM-21 calculations. Contact Jarvis representative for details.

Installation

Luminaire can be installed into any 1/2" NPS thread or standard junction box with the adjustable knuckle mount.

Luminaire ships with at least 8" of wire protruding from the mounting arm to allow for ease of wiring. Knuckle mount features 180° adjustability.

Contact a Jarvis Representative for full installation instructions, videos or additional information.

Jarvis Lighting carries a variety of photocells that are compatible with the FLD Series. Contact a Jarvis representative for information.

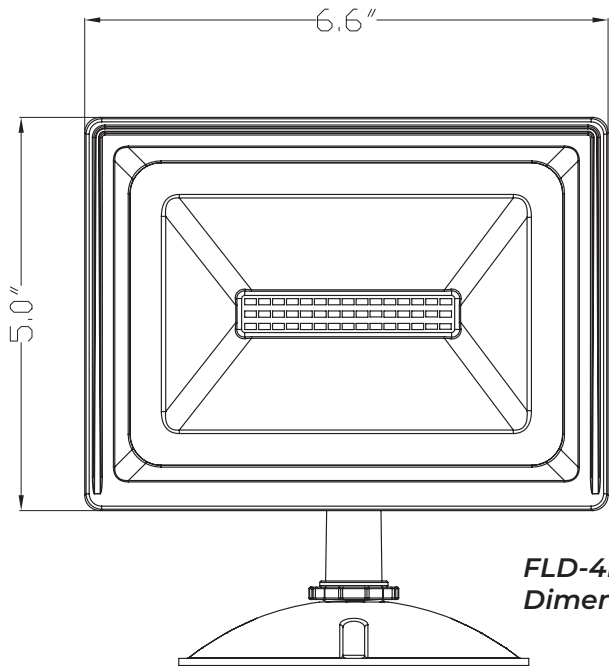
Accessories:

Part Number	Description
A300	Button Photocell – 120V – Recommended one per light

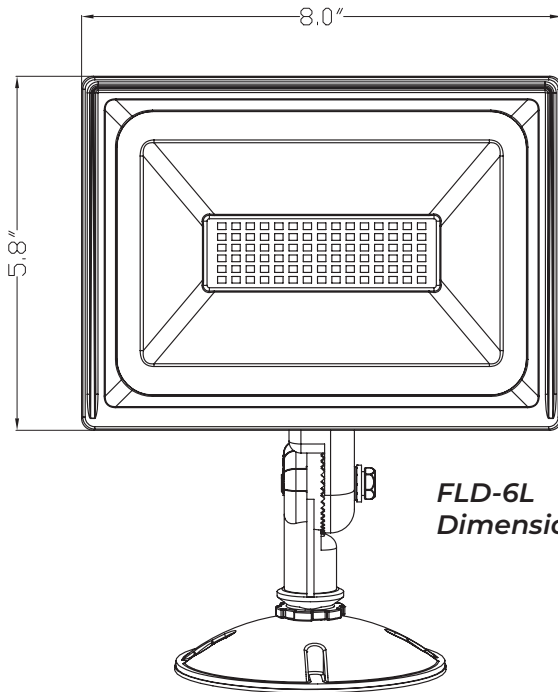
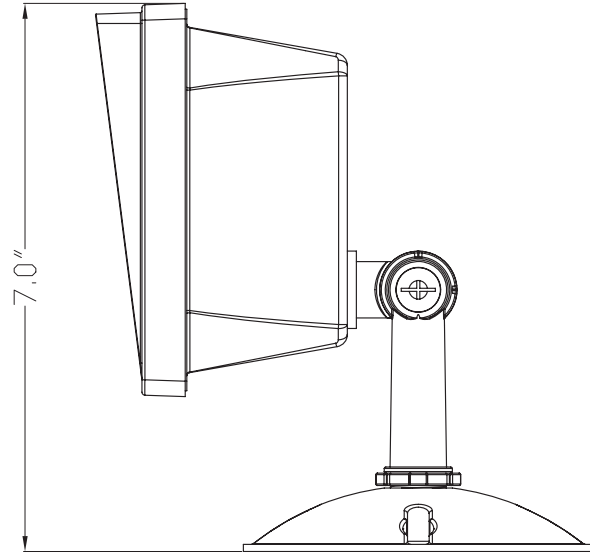
Photometrics

Photometric information, including LM-79 reports and .IES files are available for most models at www.jarvislighting.com. Site photometrics and lighting layouts are available. Contact a Jarvis representative.

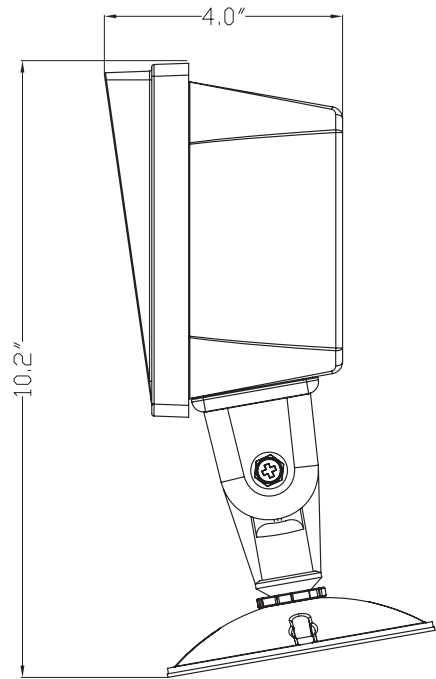
Dimensions:



*FLD-4L
Dimensions*



*FLD-6L
Dimensions*



BRIGHT DONE RIGHT™