

# WMFT Technical Specifications



## WMFT Series LED Wall Pack Luminaire

### General Product Description

The Jarvis WMFT Series LED wall pack features a traditional forward-throw design combined with advanced internal optics. Utilization of light is improved by directing more light forward and down, increasing surface illumination levels and decreasing light pollution.



### Most Popular Models and Specifications:

Model	LEDs	INPUT	POWER	LUMENS	CCT	CRI	PF	DLC
WMFT-100-30K-UV-FT-[All Colors]-DM	1	120-277V 50/60Hz	25W	3,200 lm	3000K	≥ 70	≥ 0.9	Premium
WMFT-100-40K-UV-FT-[All Colors]-DM	1	120-277V 50/60Hz	25W	3,200 lm	4000K	≥ 70	≥ 0.9	Premium
WMFT-100-50K-UV-FT-[All Colors]-DM	1	120-277V 50/60Hz	25W	3,200 lm	5000K	≥ 70	≥ 0.9	Premium
WMFT-250-30K-UV-FT-[All Colors]-DM	2	120-277V 50/60Hz	52W	6,451 lm	3000K	≥ 70	≥ 0.9	Premium
WMFT-250-40K-UV-FT-[All Colors]-DM	2	120-277V 50/60Hz	52W	6,451 lm	4000K	≥ 70	≥ 0.9	Premium
WMFT-250-50K-UV-FT-[All Colors]-DM	2	120-277V 50/60Hz	52W	6,451 lm	5000K	≥ 70	≥ 0.9	Premium
WMFT-320-30K-UV-FT-[All Colors]-DM	3	120-277V 50/60Hz	77W	9,503 lm	3000K	≥ 70	≥ 0.9	Premium
WMFT-320-40K-UV-FT-[All Colors]-DM	3	120-277V 50/60Hz	77W	9,503 lm	4000K	≥ 70	≥ 0.9	Premium
WMFT-320-50K-UV-FT-[All Colors]-DM	3	120-277V 50/60Hz	77W	9,503 lm	5000K	≥ 70	≥ 0.9	Premium
WMFT-400-30K-UV-FT-[All Colors]-DM	4	120-277V 50/60Hz	103W	12,760 lm	3000K	≥ 70	≥ 0.9	Premium
WMFT-400-40K-UV-FT-[All Colors]-DM	4	120-277V 50/60Hz	103W	12,760 lm	4000K	≥ 70	≥ 0.9	Premium
WMFT-400-50K-UV-FT-[All Colors]-DM	4	120-277V 50/60Hz	103W	12,900 lm	5000K	≥ 70	≥ 0.9	Premium
WMFT-250-HV	2	347-480V 50/60Hz	54W	5,235 lm	5000K	≥ 70	≥ 0.9	Standard
WMFT-320-HV	3	347-480V 50/60Hz	77W	7,475 lm	5000K	≥ 70	≥ 0.9	Standard



## Electrical

**Input Voltage:** 120-277V or 347-480V, 50/60Hz, Class 1 drivers.

**Power Factor:** > 0.9 at full load.

**Total Harmonic Distortion:** <20% full load.

Includes over voltage protection, over current protection, and short circuit protection.

**Operating Temperature Range:** -40°C to 40° C Ambient (-40°F to 104°F).

**Over Temperature Protection:** Light fixture automatically reduces power level when operating in higher temperatures to ensure componentry does not overheat. Full power levels are resumed automatically when temperatures return to rated operating range.

## Controls and Dimming

0-10V dimming is standard for all 120-277V 50/60Hz models. Contact factory for dimming options on 347-480V 50/60Hz models.

WMFT series is compatible with most controls including motion sensors and photosensors. Motion sensors and photosensors can be mounted into knockouts on sides of housing or into baseplate of housing. Contact Jarvis Representative for further information.

## Construction and Materials

Die-cast aluminum housing cast from 383 (ADC12) alloy.

Die-cast housing features a powdercoat finish with UV protection to ensure longevity of color. Powdercoat finish is applied directly to aluminum housing and will not crack or peel. Default color is bronze. White finish is also readily available as a standard color – please indicate at time of order by adding “-WHT” or “White” to the end of the part number. Custom colors are available. Contact factory for additional color information.



LEDs are mechanically fastened directly to aluminum. Thermally-conductive ceramic adhesive material is positioned between LEDs and housing to provide increased thermal transfer.

Lens construction is high-clarity prismatic borosilicate glass. Internal aluminum reflector with bright-anodized finish projects additional light outwards of the fixture.

Fasteners are stainless-steel and will not rust or create rust-streaks.

Luminaire is manufactured in the US of US and Imported Parts.



## Regulatory and Voluntary Qualifications

ETL listed to UL1598 and UL8750 for both US and Canada.

American Recovery and Reinvestment Act Funding Compliant.

State of California Title 24 Compliant when installed in accordance with local requirements.

DesignLights Consortium® (DLC) qualified product. Not all versions of this product may be DLC qualified. Please check the DLC Qualified Products List at [www.designlights.org/QPL](http://www.designlights.org/QPL) to confirm which versions are qualified.

Rated for Wet and Dry Locations.

Approved for wall-mount use.

## Warranty and Lifetime

WMFT Series carries a 10-year warranty. Contact Jarvis representative for details.

Projected LED lifetime exceeds 75,000-100,000 hours under most operating conditions. Lifetime projections are calculated using data including LM-79, LM-80 and TM-21 calculations. Contact Jarvis representative for details.

## Installation

Luminaire installs onto wall by mounting the luminaire's baseplate to the wall. Wall materials and mounting conditions vary by structure and project – contact factory for suggesting which fasteners are optimal. Electrical connections can be brought into the luminaire either through threaded ½" NPT knock-outs (located on the sides, top and bottom of the fixture's baseplate) or by mounting the luminaire over a recessed junction box. Front section of luminaire contains power supply, LEDs and optics. Front section connects to rear section via cast-in hooks and fasteners. Installation conditions often require sealing of fixture penetrations created during installation.

Contact a Jarvis Representative for full installation instructions, videos or additional information.

## Mounting Height Recommendations

Model	Forward-Throw Orientation
WMFT-100	8 to 12' from ground
WMFT-250 & WMFT-250-HV	10 to 15' from ground
WMFT-320 and WMFT-320-HV	10 to 15' from ground
WMFT-400 and WMFT-400-HV	12 to 20' from ground

For lower mounting heights, contact Jarvis representative. Typical product recommendation is WPS Series  
For higher mounting heights, contact Jarvis representative. Typical product recommendation is BFL Series

## Retrofit Applications

The WMFT Series is designed to easily install when replacing existing HID or other fixtures. Housing is designed to be similar in size to existing medium wall packs so that stained sections of wall are not visible when WMFT series is installed. Conduit entrance locations on the WMFT series line up with many common existing wall packs. Contact a Jarvis representative for more info and for advice regarding specific applications.

## Accessories:

Part Number	Description
A300	Button Photocell – 120V – Recommended one per light
A301	Heavy Duty Stem Photocell 120-277V
A303	Heavy Duty Stem Photocell 347V
A304	Heavy Duty Stem Photocell 480V

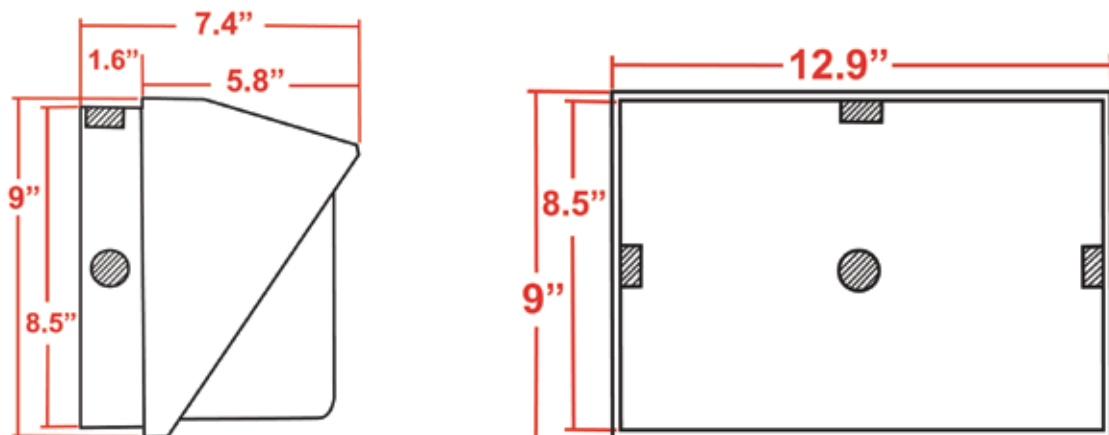
## Photometrics

Photometric information, including LM-79 reports and .IES files are available for most models at [www.jarvislighting.com](http://www.jarvislighting.com).

Site photometrics and lighting layouts are available.

Contact a Jarvis representative.

## Dimensions:



**BRIGHT DONE RIGHT™**

