

AWP Series Technical Specifications



Jarvis Lighting® AWP Series LED Wall Pack Luminaire

General Product Description

The Jarvis AWP Series includes high quality LED optics in a compact wall pack luminaire. Featuring Jarvis Lighting's patented FlexPack™ design which combines elegant and rugged construction, the AWP Series is a "go-to" solution for wall pack applications.

AWP-6L Forward Throw Orientation



AWP-3L Dark Sky Orientation

Most Popular Models and Specifications:

Model	Description	Input	Power	Lumens	CCT	CRI	PF
AWP-3L-50K-UV-BRZ	Compact FlexPack™ LED Bronze Wall Pack	120-277V 50/60Hz	27W	3,390	5000K	≥ 70	≥ 0.9
AWP-6L-50K-UV-BRZ	Compact FlexPack™ LED Bronze Wall Pack	120-277V 50/60Hz	53W	6,760	5000K	≥ 70	≥ 0.9





Electrical

Input Voltage: 120-277V 50/60Hz

Power Factor: >.9 at full load

Total Harmonic Distortion: <20% full load

Includes over voltage protection, over current protection, and short circuit protection

Operating Temperature Range: -40°C to 40° C Ambient (-40°F to 104°F)

Controls and Dimming

The AWP Series is compatible with most controls including photosensors and motion sensors. Motion sensor and photosensors can be mounted into knockouts on sides of housing or into baseplate of housing. Contact a Jarvis representative for more information.

0-10V Dimming is not available for this series, if 0-10V dimming is a requirement please see the AL Series.

Construction and Materials

Die-cast aluminum housing cast from 383 (ADC12) alloy.

Die-cast housing features a powdercoat finish with UV protection to ensure longevity of color. Powdercoat finish is applied directly to aluminum housing and will not crack or peel. Default color is bronze. Custom colors are available. Contact factory for additional color information.

LEDs are reflow soldered to a metal core circuit board, providing greater thermal transfer than standard circuit board materials.

Lens construction is tempered glass

Luminaire's construction contains zero mercury

Fasteners are stainless-steel and will not rust or create rust-streaks

Regulatory and Voluntary Qualifications

UL listed to UL1598 and UL8750 for both US and Canada

State of California Title 24 Compliant when installed in accordance with local requirements

DesignLights Consortium® (DLC) Premium qualified product. Not all versions of this product may be DLC qualified. Please check the DLC Qualified Products List at www.designlights.org/QPL to confirm which versions are qualified.

Rated for Wet and Dry Locations

Warranty and Lifetime

AWP Series carries a 10-year warranty. Contact Jarvis representative for details.

Projected LED lifetime exceeds 54,000 hours under most operating conditions. Lifetime projections are calculated using data including LM-79, LM-80 and TM-21 calculations.

Contact Jarvis representative for details.



Installation

Luminaire installs onto wall by mounting the luminaire's baseplate to the wall. Wall materials and mounting conditions vary by structure and project – contact factory for suggesting which fasteners are optimal. Baseplate should be mounted with the larger side on the top to install luminaire in the full cut-off orientation or with the larger side on the bottom to install luminaire in the forward-throw orientation. Electrical connections can be brought into the luminaire either through the threaded ½" NPS knock-outs (located on the sides, top and bottom of the fixtures baseplate) or by mounting the luminaire over a recessed junction box. Front section of luminaire contains power supply, LEDs and optics. Front section connects to baseplate via cast-in hooks and fasteners. Installation conditions often require sealing of fixture penetrations created during installation.

Contact a Jarvis representative for full installation instructions, videos or additional information.

Mounting Height Recommendations

Model	Dark-Sky Orientation	Forward-Throw Orientation
AWP-3L	8 to 12' from ground	10 to 12' from ground
AWP-6L	8 to 15' from ground	12 to 15' from ground

Retrofit Applications

Conduit entrance locations on the AWP series line up with many common existing wall packs. The AWP Series features a compact design which installs easily when replacing existing HID or other fixtures. Contact a Jarvis representative for more info and for advice regarding specific applications.

Accessories:

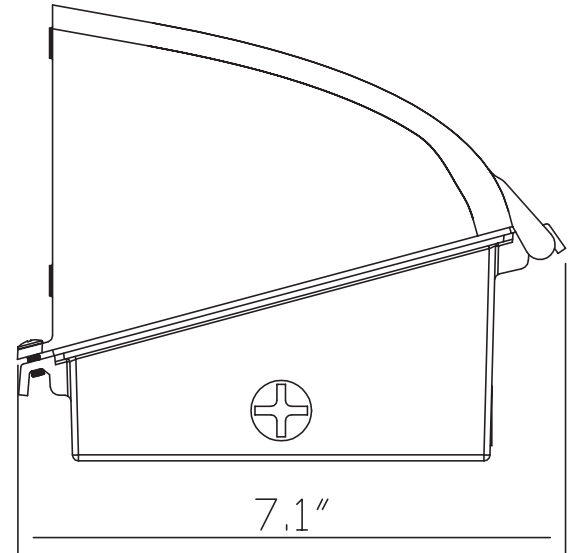
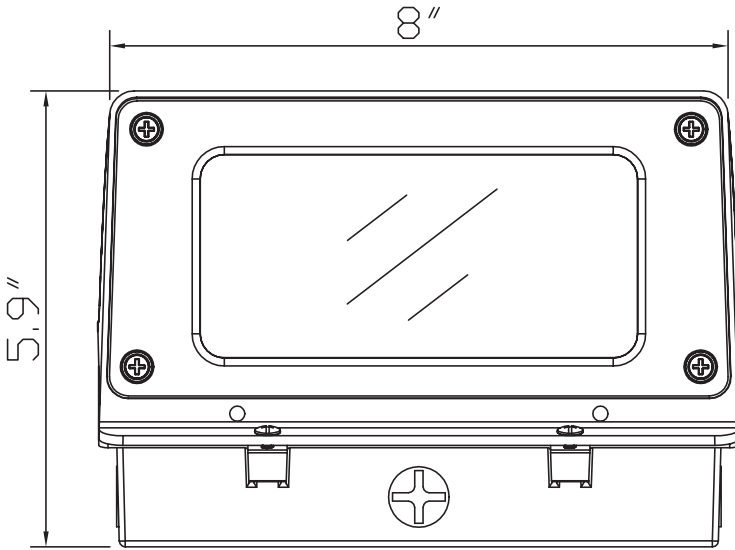
Part Number	Description
A300	Button Photocell – 120V – Recommended one per light
A301	Heavy Duty Stem Photocell 120-277V

Photometrics

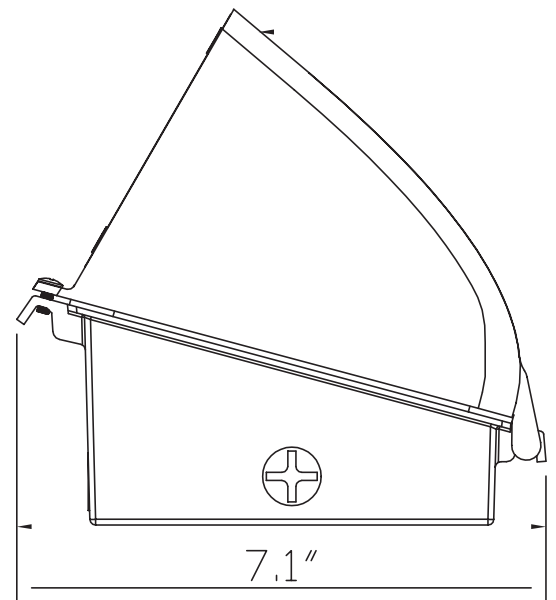
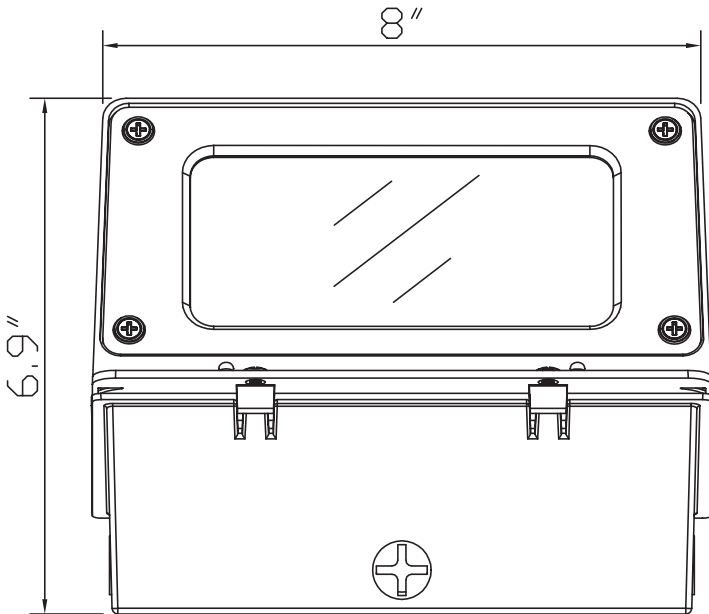
Photometric information, including LM-79 reports and .IES files are available for most models at www.jarvislighting.com. Site photometrics and lighting layouts are available. Contact a Jarvis representative.

Dimensions:

AWP Dark Sky Orientation



AWP Forward Throw



BRIGHT DONE RIGHT™

