



<b>Project:</b>	<b>Type:</b>
<b>Prepared By:</b>	<b>Date:</b>

Driver Info		LED Info	
Type	Constant Current	Watts	40W
120V	0.34A	Color Temp	4000K (Neutral)
208V	0.20A	Color Accuracy	81 CRI
240V	0.17A	L70 Lifespan	75,000
277V	0.15A	Lumens	4,845
Input Watts	38.70W	Efficacy	125.2 LPW

## Technical Specifications

### Listings

#### UL Listed:

Suitable for damp locations

#### IESNA LM-79 & IESNA LM-80 Testing:

RAB LED luminaires and LED components have been tested by an independent laboratory in accordance with IESNA LM-79 and LM-80.

#### DLC Listed:

This product is on the Design Lights Consortium (DLC) Qualified Products List and is eligible for rebates from DLC Member Utilities. DLC Product Code: PL3725S1

### LED Characteristics

#### Lifespan:

75,000-hour LED lifespan based on IES LM-80 results and TM-21 calculations

#### LEDs:

Long-life, high-efficacy, surface-mount LEDs

### Construction

#### Ambient Operating Temperature:

-30°C (-22°F) to 40°C (104°F)

#### Lens:

Frosted Polystyrene

#### Mounting:

Recessed ceiling

#### IP Rating:

Ingress Protection rating of IP66 for dust and water

#### Housing:

Lightweight aluminum housing

#### Finish:

Formulated for high durability and long-lasting color

#### Green Technology:

Mercury and UV free. RoHS-compliant components.

### Other

#### Warranty:

RAB warrants that our LED products will be free from defects in materials and workmanship for a period of five (5) years from the date of delivery to the end user, including coverage of light output, color stability, driver performance and fixture finish. RAB's warranty is subject to all terms and conditions found at [rablighting.com/warranty](http://rablighting.com/warranty).

#### Buy American Act Compliance:

RAB values USA manufacturing! Upon request, RAB may be able to manufacture this product to be compliant with the Buy American Act (BAA). Please contact customer service to request a quote for the product to be made BAA compliant.

### Electrical

#### Driver:

Constant Current, Class 2, 120-277V, 50/60 Hz, 120V: 0.34A, 208V: 0.20A, 240V: 0.17A, 277V: 0.15A

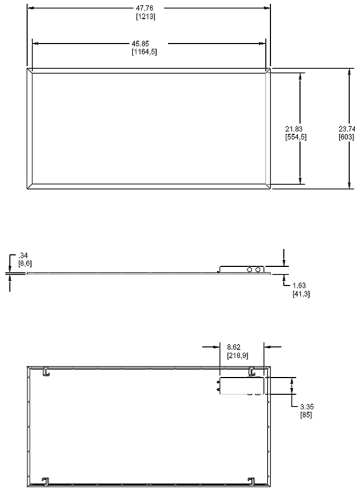
#### THD:

8.51% at 120V, 8.95% at 277V

#### Power Factor:

99.3% at 120V, 95.2% at 277V

## Dimensions



## Features

- Field-adjustable light output (3 discrete steps)
- White tunable (3 discrete color temperatures)
- Can be changed before, during or after installation
- 75,000-Hour LED lifespan

## Ordering Matrix

Family	Size	Voltage	Options
EZPANFA	2X4	/D10	
	1X4 = 1' x 4' 2X2 = 2' x 2' 2X4 = 2' x 4'	/D10 = 0-10V Dimming	Blank = No Option /LC = Lightcloud® Controller /E2 = Battery Backup