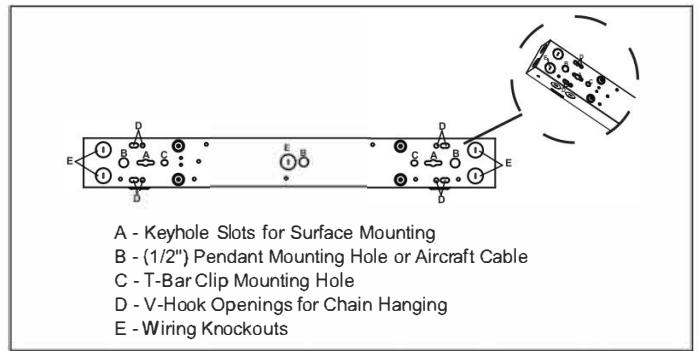
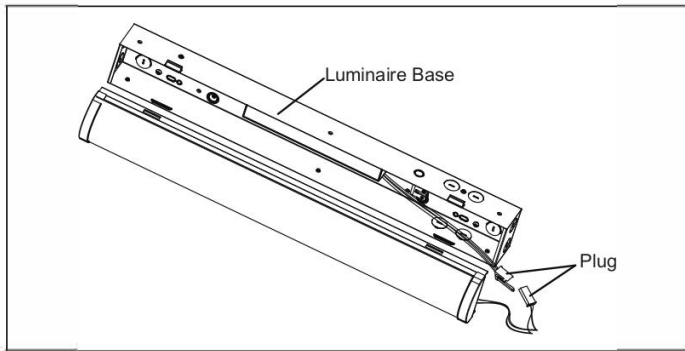


Linear Fixture LSM Install Guide

⚠ WARNING

1. Turn power off before inspection, installation or removal.
2. The installation should be performed by qualified electricians or lighting technicians.
3. Before conducting any installation, maintenance, or removal, disable all power to the luminaries and wait until the fixture cool down.
4. Do not touch the fixture while it is in service.
5. If there is any problem with the fixture, DO turn off power and DO NOT attempt repair unless you are a qualified technician or the customer service member.

Installation Guide



1. Press the clips on side of the fixture to take off the lens part from the fixture.
2. Fix the fixture on the surface with proper screws (provided by others), or hanging the fixtures with chains provided. (This luminaire support surface mounting, pendant mounting, T-Bar mounting and Chain hanging.)
3. Plug the metal flexible conduit into the 1/2" knock out, connect the wiring as per wiring guide below.
4. Put the lens part back, make sure the clips stuck in the slot to hold the lens part.
5. Check the body and ensure fixture is well installed before power on.

1. Squeeze the clips and the luminaire base to unlock the lens part.
2. Disconnect wiring plugs.
3. This Luminaire support Surface Mounting, Pendant Mounting, T-Bar Mounting and Chain Hanging.
4. It supports linking of several luminaires together.
5. This installation sheet works for both 2 feet and 4 feet luminaire. Please see detailed dimension drawing below.
6. Wiring Diagram

WIRING

Universal voltage driver permits operation at 120V thru 277V, 60 Hz.
For 0-10V Dimming, follow the wiring directions as in fig.1

1. Connect the black fixture lead to the (+) LINE supply lead.
2. Connect the white fixture lead to the (-) COMMON supply lead.
3. Connect the GROUND wire from fixture to supply ground. Do NOT connect the GROUND of the dimming fixture to the output.
4. Connect the purple fixture lead to the (V+) DIM lead.
5. Connect the gray fixture lead to the (V-) DIM lead.

TROUBLESHOOTING

1. Check that the line voltage at the fixture is correct. Refer to wiring directions.
2. Is the fixture grounded properly?
3. Be sure the photocell, if used, is functioning properly.

ACCESSORY LIST

Type	Accessory Name	Accessory Model	Quantity
Chain and bracket kit	Spring hanger	L238W175 Spring hanger	2PCS
	Securing chain	L1065W17H3 securing chain	2PCS
Mounting box(1)	Electrical box Installation and debugging board	L110W63T1.5 Electrical box Installation and debugging board	1PCS
	Square electrical box upper cover	L110W109H59 Square Electrical box Upper cover	1PCS
	Square electrical box bottom cover	L137W133H37 Square electrical box bottom cover	1PCS
	Screw	HWM4*8 hexagon thickening cross machine screw	2PCS
	Screw	HWM5*8, hexagon thickening cross machine screw	2PCS
Mounting box(2)	Screw	BM4*6 Tapping Screw	8PCS
	Electrical box	L140W133H66T1.5 Square Electrical box	1PCS
	Hold-down nut	D60H12,G3/4 hold-down nut	1PCS
	Screw	PM4*8, Round head flat machine screws	3PCS

CLEANING & MAINTENANCE

CAUTION: Be sure fixture temperature is cool enough to touch. Do not clean or maintain while fixture is energized.

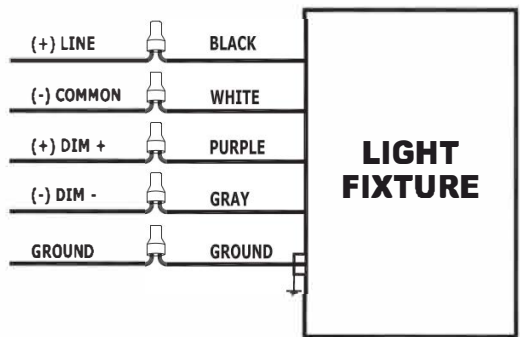


Fig. 1