

Features & Benefits

Sealed Die-Casting Profile for Indoor and Outdoor Applications

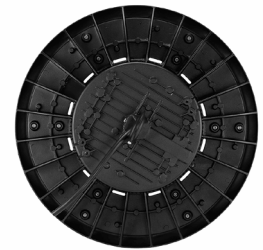
Ultra Light Weight Reduces Installation Time & Cost

Polycarbonate Optical Lens with Advanced Heat Resistance

Hook Mount, Pendant Mount and Surface Mount Available

PIR Sensor and Emergency Battery Available

5 year limited warranty



Housing

Die-cast aluminum housing with heat dissipating fins. Sealed design with silicone strip for use in wet locations.



Photometry

High Bay Photometry formed from high efficiency LEDs and scattering diuser.

Installation Accessory

Available for both hook mounting and surface mounting with bracket(optional). Bracket allows to adjust the direction to illuminate any area you need.

PIR Sensor

Optional motion sensor allows for security and energy saving.

Technical Parameters

Power	Light Output	Input	Operating Temperature	Efficacy
67W-190W	9,100 lm -25,000 lm	120-277V, 347-480V	'-40°F - 122°F	Up to 136 lm/W

Color Temperature	CRI	Certifications	Motion Sensor	Emergency Battery
4000K, 5000K	80 CRI	UL	Bi-Level PIR Sensor	8W 900 lm

Mounting Options	Finish
Hook	White

Performance Data

5000K (70 CRI)		
LED Watts	Lumens	LPW
67W	9,800 lm	136 lm/W
97W	12,800 lm	132 lm/W
140W	18,500 lm	132 lm/W
190W	25,000 lm	132 lm/W

4000K (70 CRI)		
LED Watts	Lumens	LPW
67W	9,800 lm	136 lm/W
97W	12,800 lm	132 lm/W
140W	18,500 lm	132 lm/W
190W	25,000 lm	132 lm/W

Ordering Information *Example: HBCX06-140W-50K*

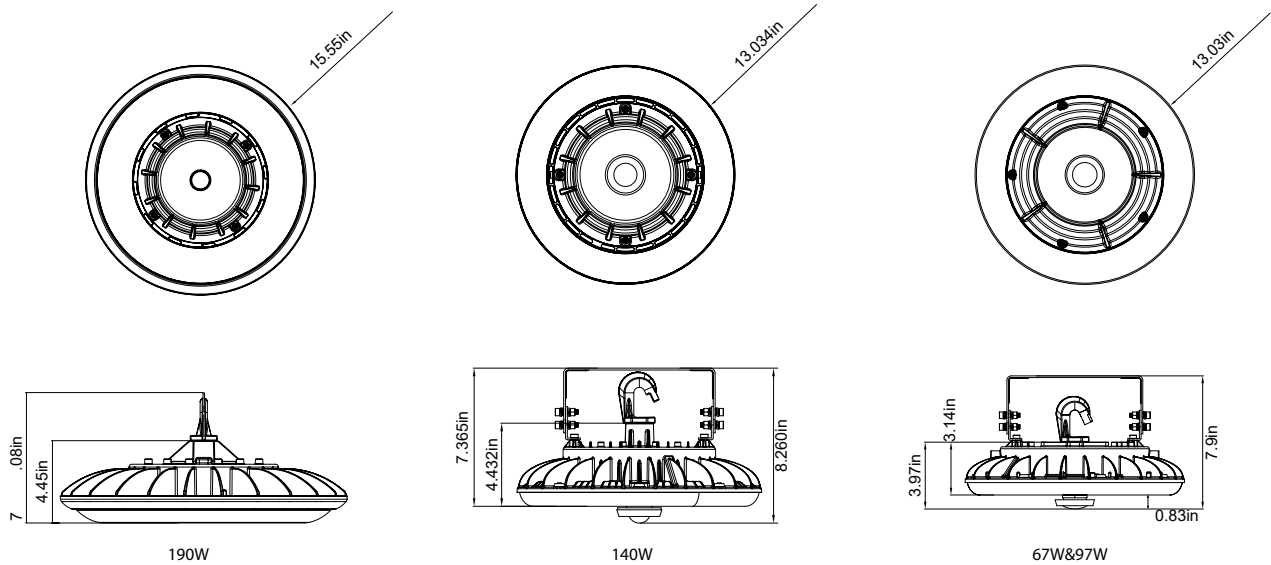
(Optional)

Model	Wattage	Voltage	CCT	Finish	Sensor
HBCX 06	67W 97W 140W 190W	Blank 120-277V HV 347/480V	40K 4000K 50K 5000K	Blank Black	M Motion Sensor B Emergency Battery

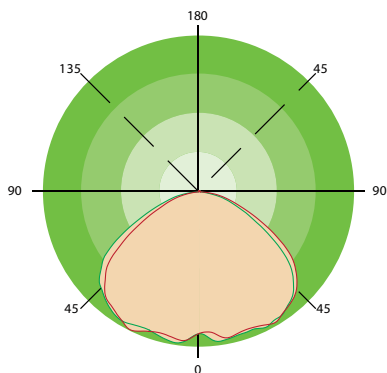
Note:

1. 67W and 97W are limited to 120-277V input only

Product Dimensions



Photometrics



Accessories



Motion Sensor
Integrated motion sensor available for on/off and dimming control for maximum energy savings.



Emergency Box
Emergency battery pack would provide the necessary brightness in emergency situations. Applicable ambient temperature is 10 °C (50 °F) to 40 °C (104 °F).



U-bracket
Use for surface mounting application. Available to adjust the angle of MHB06 to control the direction of irradiation.