

Features & Benefits

Advanced Thermal Management Aluminum Alloy with White Powder Coat Finish

Available in 1x2, 2x2, 1x4 and 2x4 Configurations

Lumen Packages up to 60,000 lm; Efficacy up to 150 lm/W

Medium, Aisle and Wide Optics Available

PIR Sensor and Emergency Battery Optional

Chain, Sling or Pendant Mount Available and Included

UL Listed for Damp Location

Estimated 100,000-hour LED lifespan based on IES LM-80 and TM-21 Calculations

10-Year Limited Warranty

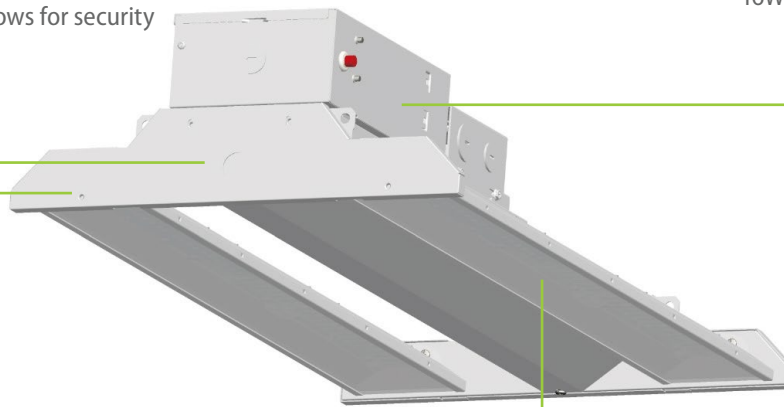


1/2 inch threaded hole

It can support wires coming out from the hole for easier wire connections, and supports PIR sensor allows for security and energy saving

Emergency Battery

16W 2000lm 90min



Housing

Suitable for J-BOX mount or chain mount or pendant mount. Advanced thermal management aluminum alloy with white coat finish

Lens

Option for general distribution, medium beam, aisle beam. Each optic is designed for a specific purpose.

Technical Parameters

Power	Light Output	Power Input	Operating Temperature	Efficacy
95W - 400W	13,500 lm - 60,000 lm	120-277V, 347/480V	-40°F to 131°F	Up to 150 lm/W

Color Temperature	CRI	Certifications	Motion Sensor	Driver
4000K, 5000K	70, 80 CRI	UL, DLC Premium	Bi-Level PIR Sensor	1-10V Dimming

Emergency Battery	Optics	Mounting	Finish	
16W, 2,000 lm, 90 min	Medium, Aisle, Wide	Chain, Pendant	White	

Performance Data

5000K (70CRI)			
LED Watts	Size	Lumens	LPW
95W	1x2FT	13,800 lm	145 lm/W
130W	1x2FT	18,500 lm	142 lm/W
160W	1x4FT	24,000 lm	150 lm/W
	2x2FT	24,000 lm	150 lm/W
200W	1x4FT	30,000 lm	150 lm/W
250W	2x4FT	36,000 lm	144 lm/W
320W	2x4FT	48,000 lm	150 lm/W
400W	2x4FT	60,000 lm	150 lm/W

4000K (70CRI)			
LED Watts	Size	Lumens	LPW
95W	1x2FT	13,500 lm	142 lm/W
130W	1x2FT	18,200 lm	140 lm/W
160W	1x4FT	23,800 lm	149 lm/W
	2x2FT	23,800 lm	149 lm/W
200W	1x4FT	29,600 lm	148 lm/W
250W	2x4FT	35,500 lm	142 lm/W
320W	2x4FT	47,400 lm	148 lm/W
400W	2x4FT	59,500 lm	149 lm/W

5000K (80CRI)			
LED Watts	Size	Lumens	LPW
160W	2x2FT	22,200 lm	139 lm/W
200W	1X4FT	25,800 lm	129 lm/W

4000K (80CRI)			
LED Watts	Size	Lumens	LPW
160W	2x2FT	22,000 lm	138 lm/W
200W	1X4FT	24,500 lm	123 lm/W

Ordering Information *Example: HBL-22-160W-50K*

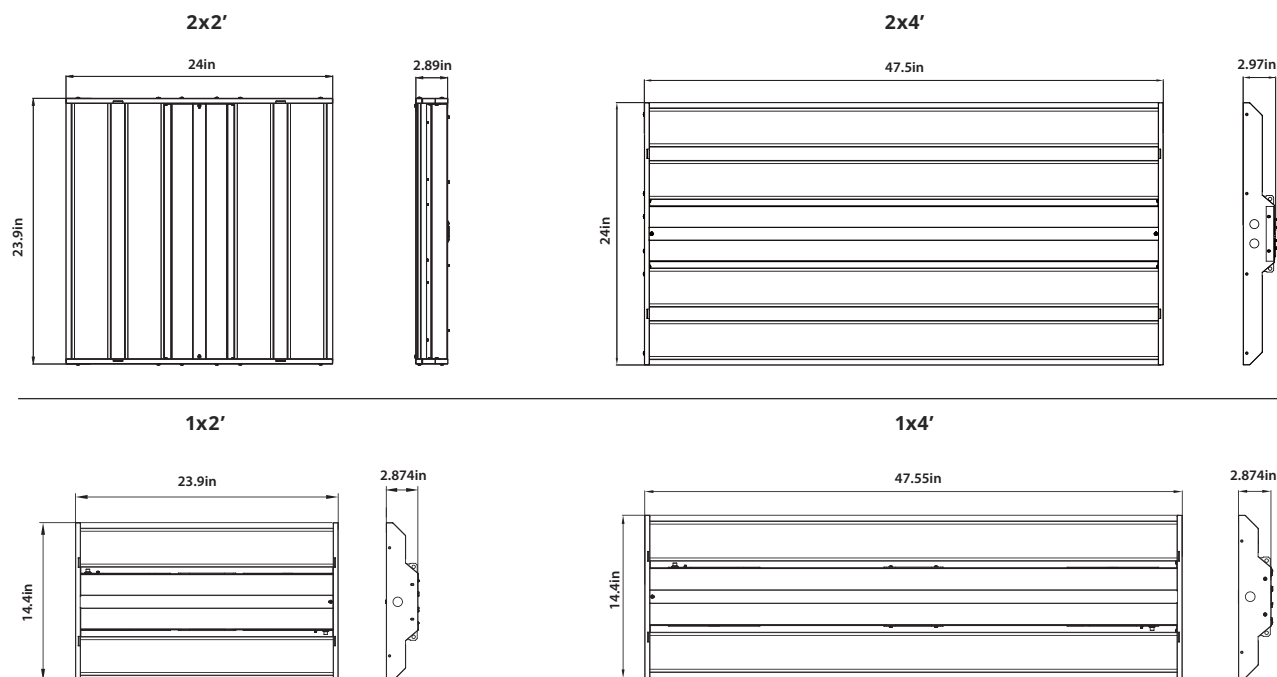
(Optional)

Model	Configuration	Wattage	Voltage	CCT	CRI	Lens	Controls
HBL High Bay HBL Series	12 1x2 14 1x4 22 2x2 24 2x4	95W 130W 160W 200W 250W 320W 400W	Blank 120-277V HV 347/480V	40K 4000K 50K 5000K	Blank 70 H 80	Blank Medium Lens A Aisle Lens W Wide Lens	M Motion Sensor EM Emergency Battery MEM Motion Sensor + Emergency Battery

Note:

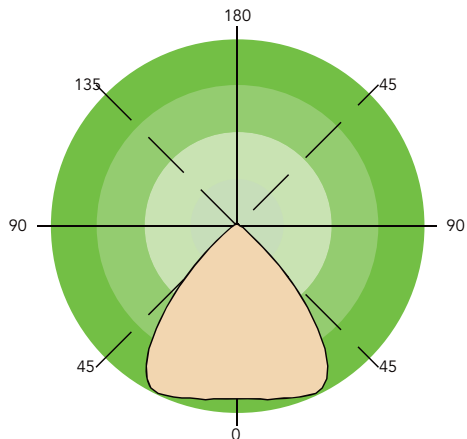
1. 1x2 = 95W, 130W
2. 2x2 = 160W
3. 1x4 = 200W
4. 2x4 = 250W, 320W, 400W
5. 347/480V = 130W, 170W, 200W, 170W, 250W, 350W, 420W
6. 80 CRI = 2x2 160W, 2x4 200W

Product Dimensions



Photometrics

Medium



DLC Listed Models

System Watt	Voltage	CCT	DLC NO	DLC Classification
130W	120-277V	4000K	HBL-12-130W-40K-[Blank]-[Blank, M, EM, EM]	Premium
130W	120-277V	5000K	HBL-12-130W-50K-[Blank]-[Blank, M, EM, EM]	Premium
160W	120-277V	5000K	HBL-22-160W-50K-[Blank]-[Blank, M, EM, EM]	Premium
200W	120-277V	5000K	HBL-14-200W-50K-[Blank]-[Blank,M,EM,MEM]	Premium
250W	120-277V	5000K	HBL-24-250W-50K-[Blank]-[Blank,M,EM,MEM]	Premium
320W	120-277V	5000K	HBL-24-320W-50K-[Blank]-[Blank, M, EM, EM]	Premium
400W	120-277V	5000K	HBL-24-400W-50K-[Blank]-[Blank, M, EM, EM]	Premium

Note: Only Above Models are Currently DLC Listed