

SYLVANIA Luminaires

UltraLED™ MICRODISK™

Application

The SYLVANIA UltraLED MICRODISK is a slim profile LED downlight kit with remote driver that operates on 120-277V universal input voltage. The 1" thin design allows for installation directly under joists in new and remodel construction. The high performing MICRODISK's IC design allows for installation without a housing. Ideal in bathrooms/kitchens, closets/attics, soffits, stairwells, or corridors.

Benefits and Features

- CRI of greater than 90 ensures a high quality of light
- No warm-up time, instant-on with full light output and stable lamp to lamp color
- 5VA fire-rated junction box eliminates need for recessed can
- Up to 91 LPW
- 2700K, 3000K, 3500K, 4000K, and 5000K color temperature
- CRI >90
- Phase-cut dimmable products offered in 8.5 and 12W, 0-10V dimmable versions offered in 8 and 13W
- 120° beam angle
- Energy savings up to 92%

Electrical

- 120/277V_{AC} (0-10V dimmable products)
- 120V (phase-cut dimmable products)
- Power Factor 92%
- THD <20%
- 0-10V dimmable or Phase-Cut dimmable (please see ordering information)

Rated Life

- 50,000 hours (L₇₀)

Warranty

- Standard 5-year luminaire warranty (LEDLUM001)

Ambient Operating Range

- -4°F to +104°F (-20°C to +40°C)

Certifications and Listings

- cETLus
- ENERGY STAR®
- RoHS
- FCC
- California Title 24 Compliant

Item #
Type
Project
Notes
Date



Wattage Comparison

Traditional Source	LED System Wattage	Energy Savings
100W BR40	8	92%
120W Incandescent	8, 13	90%

Installation

- For installation into 4" and 6" ceiling cut-outs
- 6" MICRODISK can be used in 8" applications with the trim extender accessory

Additional Specifications

- Suitable for use in closets, compliant with NFPA 70, NEC section 410.16 (A)(3) and 410.16 (C)(5)
- Compatible with Leading or Trailing Edge Dimmers: Leviton SureSlide (Model# 6674), Leviton Maestro C-L (Model# MACL-153M), Lutron Diva (Model# DVCL-153P), Lutron Caseta (Model# PD-6WCL), Legrand Radiant (Model# RHCL453P), Lutron Diva (Model# DVELV-300P), Lutron Maestro (Model# MAELV-600)
- Compatible with 0-10V Dimmers
- Complies with cULus Wet location listed, ceiling only (shower rated), and Damp location listed ceiling and wall.
- Not intended for use with emergency light fixtures or exit lights



Ordering Guide

LED	/	MD	X	/	XXX	/	9	XX	/	UNV
LED		Product Name MD = MICRODISK™	Size 4 = 4" 6 = 6"		Lumen Output 650 = 650 lumens 900 = 900 lumens 1100 = 1100 lumens		CRI 9 = >90	CCT 27 = 2700 30 = 3000 35 = 3500 40 = 4000 50 = 5000		Voltage UNV = 120-277

Ordering Information

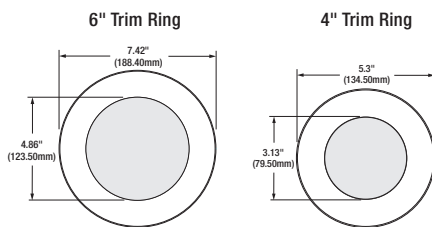
Item Number	Ordering Abbreviation	Power (W)	Input Voltage	Dimming	CRI	Color Temp (CCT)	Lumens	Lumens per Watt	ENERGY STAR® Listed
60700	LED/MD4/650/927/UNV	8	120/277	0-10V	>90	2700K	650	81	Yes
60696	LED/MD4/650/930/UNV	8	120/277	0-10V	>90	3000K	650	81	Yes
60701	LED/MD4/650/935/UNV	8	120/277	0-10V	>90	3500K	650	81	Yes
60694	LED/MD4/650/940/UNV	8	120/277	0-10V	>90	4000K	650	81	Yes
60697	LED/MD4/650/950/UNV	8	120/277	0-10V	>90	5000K	650	81	Yes
60702	LED/MD6/1100/927/UNV	13	120/277	0-10V	>90	2700K	1100	91	Yes
60698	LED/MD6/1100/930/UNV	13	120/277	0-10V	>90	3000K	1100	91	Yes
60703	LED/MD6/1100/935/UNV	13	120/277	0-10V	>90	3500K	1100	91	Yes
60695	LED/MD6/1100/940/UNV	13	120/277	0-10V	>90	4000K	1100	91	Yes
60699	LED/MD6/1100/950/UNV	13	120/277	0-10V	>90	5000K	1100	91	Yes
40051	LED/MD4/650/DIM/927	8.5	120V	Phase-Cut	>90	2700K	650	76	Yes
40052	LED/MD4/650/DIM/930	8.5	120V	Phase-Cut	>90	3000K	650	76	Yes
40053	LED/MD4/650/DIM/940	8.5	120V	Phase-Cut	>90	4000K	650	76	Yes
40054	LED/MD4/650/DIM/950	8.5	120V	Phase-Cut	>90	5000K	650	76	Yes
40055	LED/MD6/900/DIM/927	12	120V	Phase-Cut	>90	2700K	900	75	Yes
40056	LED/MD6/900/DIM/930	12	120V	Phase-Cut	>90	3000K	900	75	Yes
40057	LED/MD6/900/DIM/940	12	120V	Phase-Cut	>90	4000K	900	75	Yes
40058	LED/MD6/900/DIM/950	12	120V	Phase-Cut	>90	5000K	900	75	Yes

Accessories

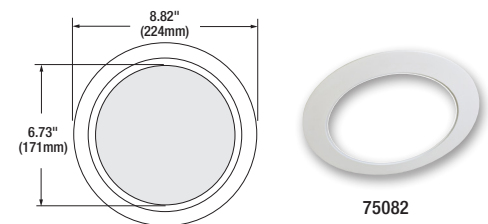
Trim Rings

Item Number	Finish	Description
74992	Dark Bronze 4" Trim Ring	LED/MD4TRIMDKBZ
74993	Black 4" Trim Ring	LED/MD4TRIMBLK
74994	Oil Rubbed Bronze 4" Trim Ring	LED/MD4TRIMORBZ
74995	Satin 4" Trim Ring	LED/MD4TRIMSN
74996	Dark Bronze 6" Trim Ring	LED/MD6TRIMDKBZ
74997	Black 6" Trim Ring	LED/MD6TRIMBLK
74998	Oil Rubbed Bronze 6" Trim Ring	LED/MD6TRIMORBZ
74999	Satin 6" Trim Ring	LED/MD6TRIMSN
75082	Trim Ring Extender	RT6/8/TRIMEXT

Trim Rings



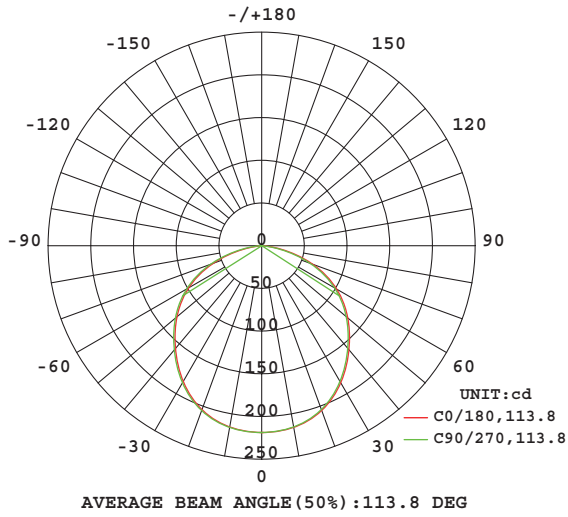
Trim Ring Extender



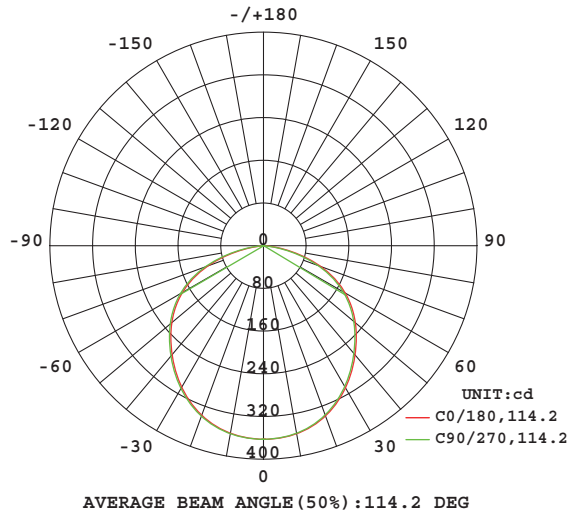
Photometrics

Luminous Intensity Distribution Diagrams

650 Lumens



1100 Lumens



Zonal Lumen Distribution

Zone	Lumens	% Retrofit Kit
0-20	149	13
0-30	316	27
0-40	518	44
0-60	919	78
0-80	1152	98
0-90	1176	100
10-90	1137	97
20-40	369	31
20-50	580	49
40-70	548	47
60-80	233	20
70-80	86	7
80-90	24	2
0-180	1176	100

Zonal Lumen Distribution

Zone	Lumens	% Retrofit Kit
0-20	90	13
0-30	190	27
0-40	310	45
0-60	548	79
0-80	683	98
0-90	697	100
10-90	674	97
20-40	221	32
20-50	346	50
40-70	324	46
60-80	135	19
70-80	49	7
80-90	13	2
0-180	697	100

Illuminance at a Distance

Distance to Illuminated Plane (Feet)	Footcandles Beam Center	Footcandles Beam Edge	Beam Diameter (feet)
2	101.6 fc	8.5 fc	6.1
4	25.4 fc	2.1 fc	12.1
6	11.3 fc	0.9 fc	18.2
8	6.4 fc	0.5 fc	24.3
10	4.1 fc	0.3 fc	30.3
12	2.8 fc	0.2 fc	36.4

Illuminance at a Distance

Distance to Illuminated Plane (Feet)	Footcandles Beam Center	Footcandles Beam Edge	Beam Diameter (feet)
2	61.3 fc	5.4 fc	5.9
4	15.3 fc	1.3 fc	11.8
6	6.8 fc	0.6 fc	17.7
8	3.8 fc	0.3 fc	23.6
10	2.5 fc	0.2 fc	29.5
12	1.7 fc	0.1 fc	35.4

Spacing to Mounting Height Ratio

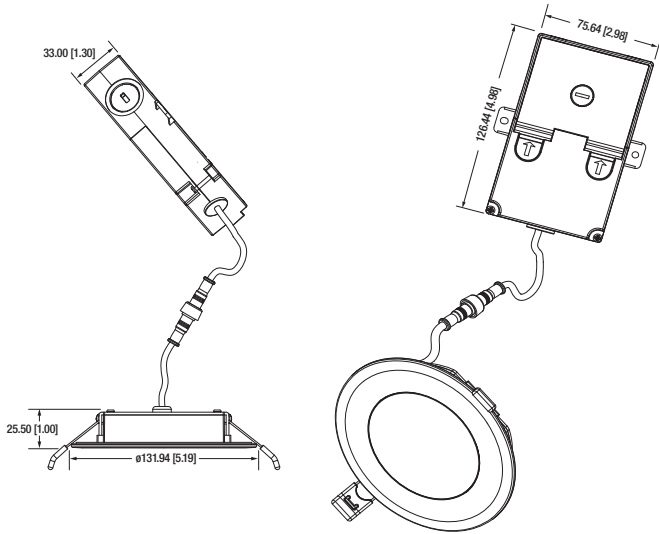
Spacing Criterion (0-180)	1.26
Spacing Criterion (90-270)	1.26
Spacing Criterion (Diagonal)	1.38

Spacing to Mounting Height Ratio

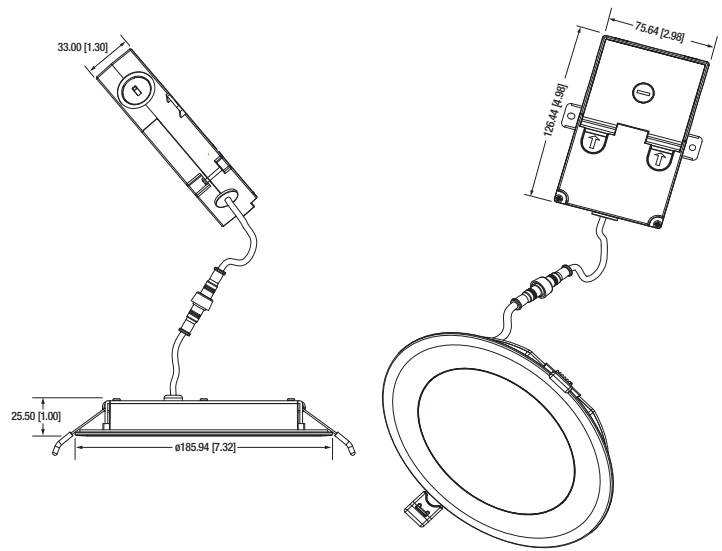
Spacing Criterion (0-180)	1.26
Spacing Criterion (90-270)	1.26
Spacing Criterion (Diagonal)	1.38

Physical Information

4 inch MICRODISK™ Phase-Cut



6 inch MICRODISK Phase-Cut



LEDVANCE LLC
200 Ballardvale Street
Wilmington, MA 01887 USA
Phone 1-800-LIGHTBULB (1-800-544-4828)
www.sylvania.com

SYLVANIA and LEDVANCE are registered trademarks.
All other trademarks are those of their respective owners.
Licensee of product trademark SYLVANIA in general lighting.
Specifications subject to change without notice.



Name:	_____
Email:	_____
Phone:	_____

