

Uni-Serve



Self-Adjusting Neon Transformers

Product Details

- 15,000V unit replaces 15,000V / 12,000V / 10,500V ratings
- 9,000V unit replaces 9,000V / 7,500V / 6,000V / 5,000V ratings
- Available in Standard and Enclosed Case
- 120V, 60hz, normal P.F.
- Poly-resin fill (Standard Case) Asphalt Filled (Enclosed case)
- Dimmable and Flashable

Uni-Serve

User Friendly Ground Fault Protection

Service Button: Allows the secondary ground fault protection (SGFP) mode to be by passed for approximately 30 minutes. Note: The LED will blink Red if the unit has tripped and is not properly grounded. To prevent electrical shock hazard, the unit will not enter the by pass mode while improperly grounded.

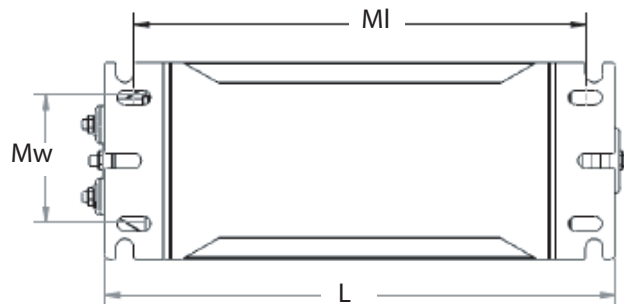
Auto-Reset: The transformer will attempt to reset itself 3 times. the reset feature will help avoid nuisance tripping. the reset interval is approximately 3 seconds.

Diagnostic LED Operation:

LED Mode	Root Cause
<ul style="list-style-type: none"> ■ LED OFF ■ Continuous Flashing ■ 1 Flash, Long Pause ■ 2 Flashes, Pause ■ 3 Flashes ■ LED ON ■ To reset transformer, cycle power off and on 	<ul style="list-style-type: none"> ■ Normal Operation ■ Secondary Fault ■ Transformer overheated ■ Transformer case missing service ground ■ L&N reversed (347 unit only) ■ Transformer in bypass service mode

Specifications

	Catalogue Number	Secondary		Primary V.A.	Input Amps	Housing					Wt. Lbs.
		Volts	mA			L	W	H	MI	Mw	
30 mA	101530BPX120R	15 KV	30	450	3.75	10.88"	4.20"	5.30"	9.62"	2.71"	20
	5930CPX120R	9 KV	30	270	2.25	10.03"	3.69"	3.92"	9.06"	2.99"	12
30 mA	101530FPX120	15 KV	30	450	3.75	12.50"	4.57"	7.00"	11.75"	2.50"	24
	5930FPX120	9 KV	30	270	2.25	12.50"	4.57"	7.00"	11.75"	2.50"	19



MI = Mounting Length.
Mw = Mounting Width
L = Overall Length

Visit us at www.allanson.com