

C-WM-A-WLSL Series

LED Wall Mount

Replaces 120W Incandescent/50W MH



INCREASED SECURITY WITH AN UNOBTRUSIVE DESIGN

With over 20% uplight, a built-in photocell and 1400 lumens, this fixture provides the increased security you need.



PRODUCT SPECIFICATIONS

OVERVIEW

- Initial Delivered Lumens: 1,400
- CRI: ≥ 70
- CCT: Cool White (5000K)
- Mounting: Wall
- Input Power: 21 Watts
- Dimmable: No
- Operating Minimum: -40°C (-40°F)
- Lifespan: Estimated > 50,000 Hours
- Power Factor: > 0.99
- Total Harmonic Distortion: < 10%
- Limited Warranty: 5 Years*
- Replaces 120W Incandescent/50W MH

LOW MAINTENANCE	ENERGY SAVINGS	RECOMMENDED USE	INPUT VOLTAGE
<ul style="list-style-type: none">• Photocell included for dusk to dawn operation• Up to 50,000 hours of maintenance-free operation	<ul style="list-style-type: none">• Highly efficient, using up to 60% less power than its HID equivalent	<ul style="list-style-type: none">• Security• Stairways• Perimeter Lighting	<ul style="list-style-type: none">• 120V Operation with built-in photocell

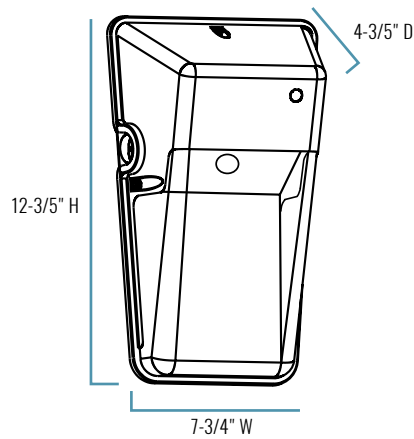
ORDERING INFORMATION

Example: C-WM-A-WLSL-14L-50K-MB

C-WM-A	WLSL	14L	50K	MB
PRODUCT	STYLE	LUMEN PACKAGE	CCT	COLOR
C-WM-A	WLSL LED Wall Mount	14L 1,400 Lumens, 21W	50K Cool White (5000K)	MB Medium Bronze

CERTIFICATIONS:

C-WM-A-WLSL Series



SERIES OVERVIEW

DIMENSIONS	PRODUCT WEIGHT	MOUNTING HEIGHT	SPACING
4-3/5" D x 7-3/4" W x 12-3/5" H	3.5 lbs.	8 to 12 feet	N/A

FIXTURE SPECIFICATIONS

HOUSING	High impact polycarbonate housing in medium bronze and heavy-duty aluminum mounting plate
LENS ASSEMBLY	UV-stabilized polycarbonate prismatic refractor
MOUNTING	Mounts over a 4" square or octagonal junction box Knockout provided on back of housing for 1/2" conduit entry or mounts over a 4" square or octagonal junction box

ELECTRICAL PERFORMANCE

OPERATING MINIMUM	LIFESPAN L ₇₀ AT 25°C (77°F)	POWER FACTOR	TOTAL HARMONIC DISTORTION	DIMMABLE
-40°C (-40°F)	Estimated 50,000 Hours	> 0.99	< 10%	No
INPUT VOLTAGE	120V	208V	240V	277V
CURRENT DRAW (Amps)	0.18A	N/A	N/A	N/A

WARRANTY AND CERTIFICATIONS

WARRANTY	UL LISTED
5 Year Limited*	Wet Locations

CA RESIDENTS WARNING: Cancer and Reproductive Harm –
www.p65warnings.ca.gov

© 2018 Cree, Inc. and/or one of its subsidiaries. All rights reserved. For informational purposes only. Content is subject to change. Patent www.cree.com/patents. The CREE LEDs logo, C-LITE™ and the C-LITE logo are trademarks of Cree, Inc. The UL logo is a registered trademark of UL LLC.

US: c-lite.com T (800) 236-6800 F (262) 504-5415

Canada: www.cree.com/canada T (800) 473-1234 F (800) 890-7507

Rev. Date: V2 10/12/2018

For informational purposes only. Content is subject to change. *See lighting.cree.com/warranty for details

C-LITE
LED LIGHTING BY CREE