

SC6-CM &-WM

Cord & Wall Mount Housing

Rev. Date: V5 11/14/2019

Product Description

Both the SC6-CM and SC6-WM cylindrical housings are rated for use with luminaires that consume low energy, such as the LR6 and CR6, optimizing energy density calculations for easier energy code compliance and LEED certification. They also feature a subtle, unobtrusive design that integrates cleanly into the interior space.

SC6-CM

The SC6-CM cylindrical cord mount housing is designed to accommodate all Cree 277V and GU24-based six-inch downlights in a variety of architectural applications. It supports a maximum suspension distance of 7 ft. to the top of the fixture and may be field modified for shorter distance.

SC6-WM

The SC6-WM cylindrical wall mount housing is designed to accommodate all Cree 277V and GU24-based six-inch downlights in a variety of architectural applications.

Product Specifications

CONSTRUCTION & MATERIALS

- Rugged spun aluminum housing with textured polyester powder paint accommodates Cree GU24 and 277V six-inch led downlights
- Housing attaches directly to standard 4" electrical junction boxes

REGULATORY & VOLUNTARY QUALIFICATIONS

- cETLus Listed
- Suitable for damp locations

Limited Warranty: 1 year on accessories

† See <http://creelighting.cree.com/warranty> for warranty terms

Compatible Downlights

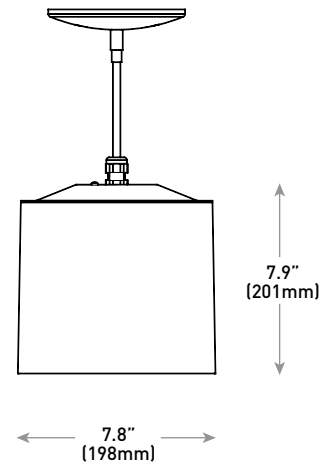
SC6-CM/WM	SC6-CM/WM-277V
CR6-GU24 LR6-GU24 LR6C-GU24 LE6-GU24 LE6C-GU24 LR6-DR Series (120V)	LR6-277V LR6C-277V LR6-DR Series (277V)

Ordering Information

Example: SC6-CM-GU24

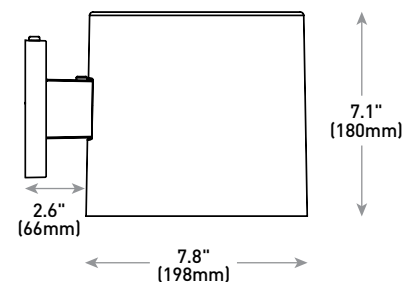
Product	
SC6-CM	SC6-WM
SC6-CM-GU24 120V, Textured white, GU24 Socket SC6-CM-BL-GU24 120V, Textured black, GU24 Socket SC6-CM-277V 277V, Textured white, 277V Connector SC6-CM-BL-277V 277V, Textured black, 277V Connector	SC6-WM-GU24 120V, Textured white, GU24 Socket SC6-WM-BL-GU24 120V, Textured black, GU24 Socket SC6-WM-277V 277V, Textured white, 277V Connector

SC6-CM



NOTE: Maximum suspension distance is 7 ft to the top of the fixture. Cord may be field modified for shorter suspension distance.

SC6-WM



CA RESIDENTS WARNING: Cancer and Reproductive Harm – www.p65warnings.ca.gov



© 2019 Cree Lighting, A company of IDEAL INDUSTRIES. All rights reserved. For informational purposes only. Content is subject to change. Patent www.creelighting.com/patents. Cree® and the Cree logo are registered trademarks of Cree, Inc.

US: creelighting.com (800) 236-6800

Canada: creelighting-canada.com (800) 473-1234

CREE  **LIGHTING**

A COMPANY OF IDEAL INDUSTRIES, INC.