

## IMPORTANT SAFEGUARDS

When using electrical equipment, basic safety precautions should always be followed including the following:

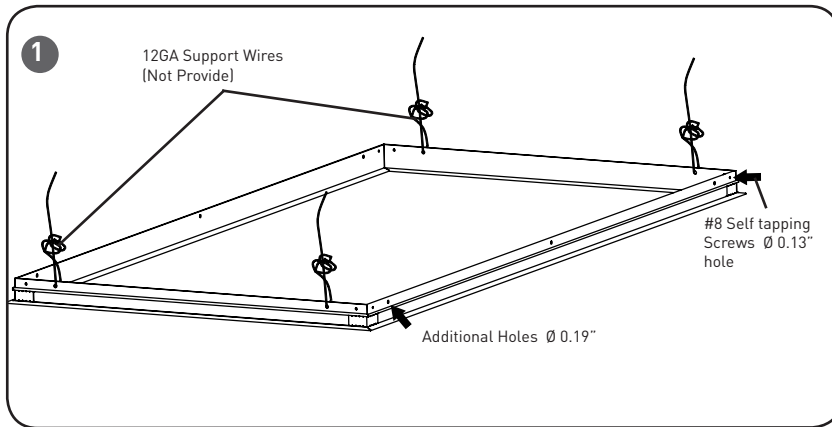
### READ AND FOLLOW ALL SAFETY INSTRUCTIONS

- DANGER**- Risk of shock- Disconnect power before installation.  
**DANGER** – Risque de choc – Couper l'alimentation avant l'installation.

## SAVE THESE INSTRUCTIONS FOR FUTURE REFERENCE

**NOTE:** For Cadiant™ (CDNT) series luminaires only use DGA22 adapter.

### TO INSTALL:



#### STEP 1:

Cut the Drywall opening based on the following size table below.

PRODUCT	LENGTH	WIDTH
DGA14-WHT	48.37" (1228.7mm)	12.56" (319.1mm)
DGA22-WHT	24.37" (619.1mm)	24.37" (619.1mm)
DGA24-WHT	48.37" (1228.7mm)	24.37" (619.1mm)

Tolerance for L or W: +.125"/-0

#### STEP 2:

Form minimum 12GA support wire (not included) to tie the DGA, Drywall Grid Adaptor. If necessary, use support wires to tie the additional holes of the DGA to reinforce the strength. See **Figure 1**.

**NOTE:** Additional holes are Ø 0.19".

- DGA22-WHT includes 2 additional holes on each side.
- DGA14-WHT & DGA24-WHT includes 3 additional holes on each side.

#### STEP 3:

Another option to secure the DGA is to use the #8 self tapping screw.

**NOTE:** #8 self tapping screw holes are Ø 0.13", 2 per side.

#### STEP 4:

Ensure Luminaires are securely fastened to ceiling framing member by mechanical means identified for use with the luminaire and ceiling member type in accordance with the NEC revision currently in place with the Authority Having Jurisdiction (AHJ) over the locale of the installation.