

# BXRAAF

Traditional Post-Top LED Upgrade Kit for Lumec® New Westminster Globe

## Product Description

Seamlessly transform existing Globe luminaires using traditional light sources into more energy-efficient, lower maintenance luminaires. Each Upgrade Kit is optimized for a particular style of luminaire for a beautiful nightscape appearance with improved target efficacy and easy installation using most of the existing luminaire for little waste and consistent day-form appearance

## Performance Summary

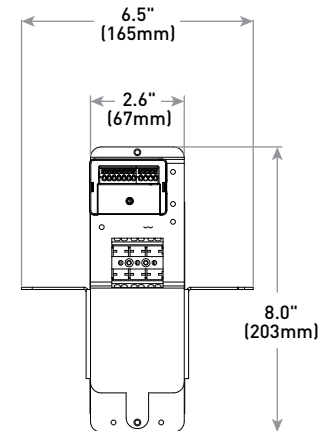
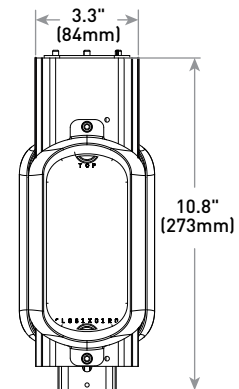
Made in the U.S.A. of U.S. and imported parts

**CRI:** Minimum 70 CRI

**CCT:** 2700K (+/- 300K), 4000K (+/- 300K)

**Limited Warranty\*:** 10 years on LED upgrade kit

\* See <http://lighting.cree.com/warranty> for warranty terms



## Ordering Information

Example: BXRAAF53-UD7

Product	Version	Style	Optic	# of Sides	Voltage	Input Power Designator	Color Temperature	Options
BXRA	A	F	5	3	-	U	D	
		Lumec® New Westminster compatible	Symmetric		Universal 120-277V	68W	<b>1 2700K Color Temperature</b> - Color temperature per luminaire <b>7 4000K Color Temperature</b> - Color temperature per luminaire	<b>Y 0-10V Dimming</b> - Control by others - Refer to <a href="#">Dimming spec sheet</a> for details - Can't exceed specified input current



US: [lighting.cree.com](http://lighting.cree.com)

T (800) 236-6800 F (262) 504-5415

Rev. Date: V2 10/04/2018

Canada: [www.cree.com/canada](http://www.cree.com/canada)



T (800) 473-1234 F (800) 890-7507

# Traditional Post-Top LED Upgrade Kit for Lumec® New Westminster Globe

## Product Specifications

### CONSTRUCTION & MATERIALS

- Clear anodized extruded aluminum heat sink
- Custom-designed assembly for easy installation and optimized thermal performance
- Re-uses most of the existing luminaire for little waste

### ELECTRICAL SYSTEM

- **Input Voltage:** 120-277V, 50/60Hz, Class 1 driver
- **Power Factor:** > 0.9 at full load
- **Total Harmonic Distortion:** < 20% at full load
- Integral 10kV surge suppression protection standard
- Field adjustable output standard
- When code dictates fusing, a slow blow fuse or type C/D breaker should be used to address inrush current
- Optional 0-10V dimming. Control by others

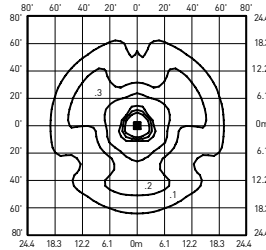
### REGULATORY & VOLUNTARY QUALIFICATIONS

- This product is UL classified for U.S. and Canada for use with the Lumec® New Westminster Series Decorative Streetlight with glass lens
- Compatible with luminaire without permanent internal baffles or reflectors
- 10kV surge suppression protection tested in accordance with IEEE/ANSI C62.41.2
- Meets Buy American requirements within ARRA
- **CA RESIDENTS WARNING:** Cancer and Reproductive Harm – [www.p65warnings.ca.gov](http://www.p65warnings.ca.gov)

## Photometry

All published photometric testing performed to IESNA LM-79-08 standards by a NVLAP accredited laboratory.

Photometry applies to upgrade kit only.



Acorn Retrofit Light Engine  
**Mounting Height:** 20' (6.1m) A.F.G.  
**Initial Delivered Lumens:** 5,351  
 Initial FC at grade

Electrical Data*					
Input Power Designator	System Watts 120-277V	Total Current (A)			
		120V	208V	240V	277V
D	68	0.57	0.33	0.28	0.25

\* Electrical data at 25°C (77°F). Actual wattage may differ by +/- 10% when operating between 120-277V +/- 10%

Symmetric Distribution		
Input Power Designator	2700K	4000K
	Initial Delivered Lumens*	Initial Delivered Lumens*
D	3,800	5,351

\* Initial delivered lumens at 25°C (77°F). Actual production yield may vary between -10 and +10% of initial delivered lumens