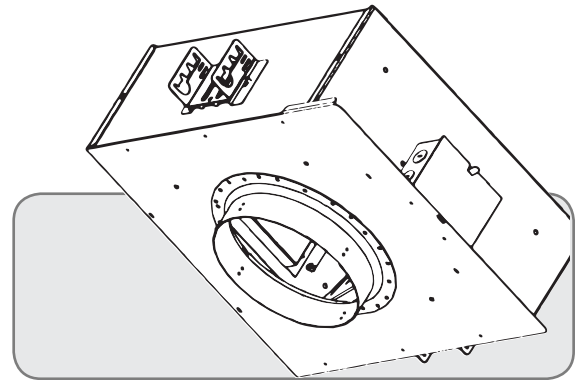
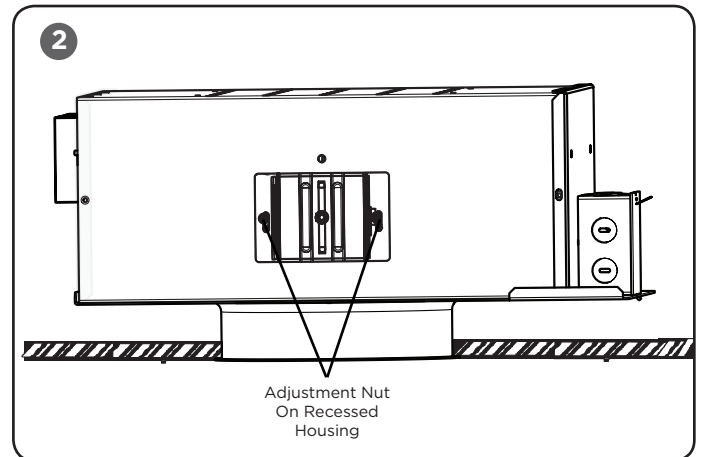
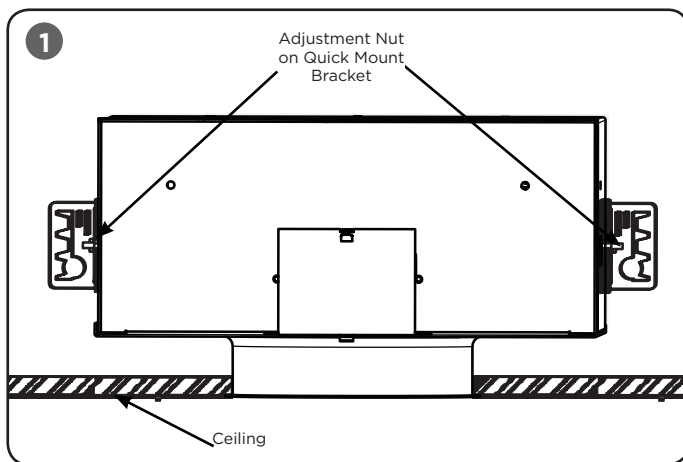


IMPORTANT SAFEGUARDS

When using electrical equipment, basic safety precautions should always be followed including the following:

READ AND FOLLOW ALL SAFETY INSTRUCTIONS

1. To reduce the risk of electrical shock, turn off power supply before installation or servicing.
2. This luminaire must be installed in accordance with the NEC or your local electrical code. If you are not familiar with these codes and requirements, consult a qualified electrician.
3. This fixture must be supported by main runners or other building structure that is capable of supporting fixture weight.
4. These fixtures are thermally protected. Do not install insulation within 3 inches (76 mm) of fixture sides or junction box nor above fixture in such a manner as to entrap heat.
5. Blinking LED may indicate fixture is too close to insulation.

SAVE THESE INSTRUCTIONS FOR FUTURE REFERENCE
INSTALLATION INSTRUCTIONS

TO INSTALL:

LUMINAIRE INSTALLATION
STEP 1:

Cut appropriate sized hole in ceiling

Luminaire Type	Ceiling Cutout Size	Luminaire Weight
6 in round adjustable	6-1/2 in.	17 lbs.
8 in round adjustable	8-1/4 in.	19 lbs.
6 in square adjustable	6-1/2 x 6-1/2 in.	17 lbs.
8 in square adjustable	8-1/2 x 8-1/2 in.	19 lbs.

STEP 2:

Thread rigid conduit, bar stock, wire or C-channel (supplied by others) through quick-mount brackets at the sides of the fixture.

STEP 3:

Attach mounting means to structure or other adequate support.

STEP 4:

Adjust mounting height by loosening adjustment nut(s) (either on Quick Mount Brackets or on Recessed Housing - see **Figures 1 and 2**), then position bracket so that the bottom of the plaster ring is flush with the bottom of the opening of the finished ceiling.

STEP 5:

Tighten adjustment nut(s).

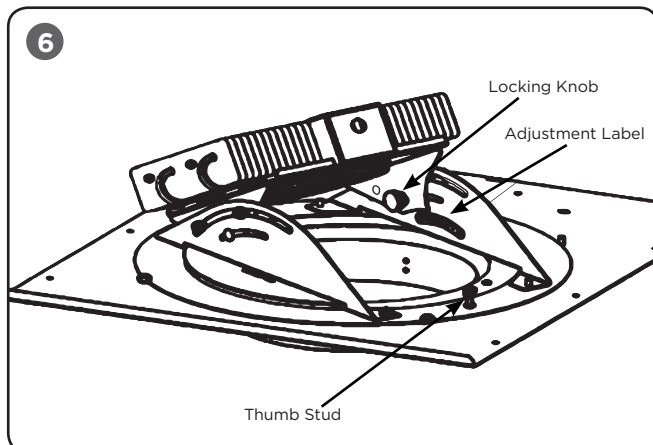
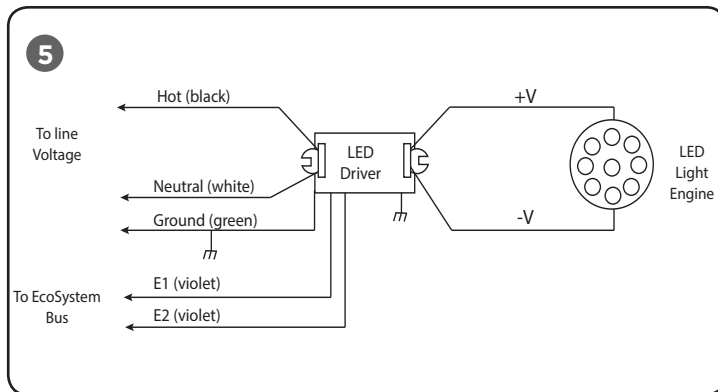
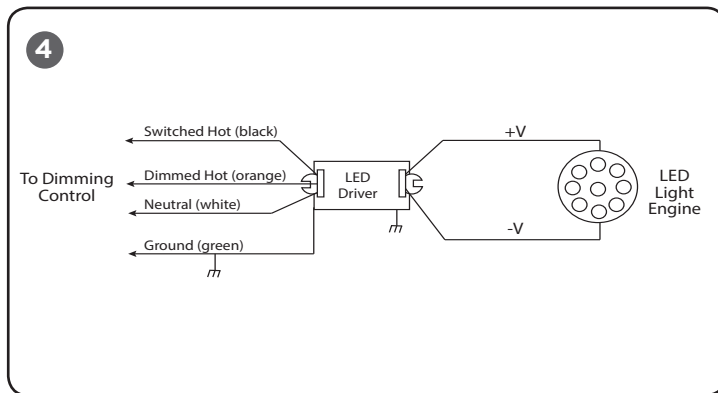
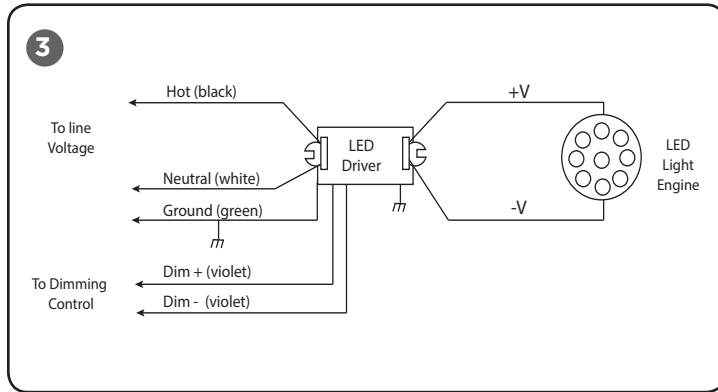
STEP 6:

Remove junction box cover and bring in appropriate power supply to the junction box using one of the knock-outs.

STEP 7:

Wire fixture per "Wiring Instructions" section.

NOTE: Fixture is intended to be wired to a specific voltage. Make sure that supply voltage matches voltage on electrical label next to the junction box. Connecting fixture to voltage other than that specified on the label may result in fixture damage and/or improper fixture operation.



WIRING INSTRUCTIONS

When wiring a non-dimming luminaire:

1. Connect supply ground wire to fixture ground (green).
2. Connect supply line conductor to fixture hot (black).
3. Connect supply neutral conductor to fixture neutral (white).

When wiring a luminaire for dimming with the BetaLED driver

(0-10V DC low voltage dimming control) See Figure 3

When wiring a luminaire for Lutron 3-wire dimming, See Figure 4.

When wiring a luminaire for Lutron EcoSystem Digital Control, See Figure 5.

NOTE: If power limited circuit wiring is being used for the dimming connections, use the Class 2 kit and instruction sheet included with the luminaire when wiring.

FIXTURE AIMING

The luminaire may be rotated or tilted to obtain desired light placement.

- **To rotate the LED module**, loosen the thumb stud (as shown in Figure 3) and rotate until desired light placement is reached. Retighten the thumb stud.
- **To tilt the LED module**, loosen the locking knob (as shown in Figure 6) and tilt until desired light placement is reached, referencing the adjustment label. Retighten the locking knob.

DRIVER MAINTENANCE

The driver may be accessed through the housing aperture.

STEP 1:

Remove the trim (reference trim instruction sheet).

STEP 2:

Remove the knurled nut (as shown in Figure 7).

STEP 3:

Remove the Driver Plate and bring through the housing aperture.

STEP 4:

When ready to replace Driver, follow steps 1-3 in reverse.

