



**SENSORWORX®**

# WIDE VIEW OCCUPANCY SENSOR

LOW VOLTAGE

## OVERVIEW

The **SENSORWORX®** wide view occupancy sensor enables mounting to a wall, corner, junction box, or conduit. This flexibility reduces contractor installation time and provides a secure and clean finished appearance. **SENSORWORX** products utilize the latest passive infrared technology and digital signal processing techniques to provide unmatched detection performance. Additionally these **SENSORWORX** units are available with an integrated microphone to provide overlapping passive acoustic occupancy detection for rooms with obstructions or where occupant motion will be limited.

## BASIC OPERATION

Sensors detect movement in the infrared energy that radiates from occupants as they move within the devices field-of-view. Once occupancy is identified the sensor signals a connected power/relay pack to switch on the connected lighting. If equipped with passive dual (PIR/Acoustic) technology, the unit's microphone is then also enabled to further enhance detection while the lights are on. An internal timer is set to keep lights on during brief periods of inactivity, and is reset every time occupancy is signaled by either the passive infrared or acoustic detection technologies.

## APPLICATIONS

A single wide view sensor can be used in many rooms, however, multiple low voltage sensors can be easily wired together to provide improved coverage for large or irregular shaped spaces.

- Classrooms
- Open Areas
- Large Offices
- Conference Rooms
- Hallways

## FEATURES

- Digital Passive Infrared (PIR) Detection
- Passive Acoustic Detection (Optional)
- 120° Coverage Pattern
- Compact Size and Matte Finish
- Five Contractor Friendly Mounting Methods
- Mounting Nipple Attachment with Integrated Hole Saw
- Convenient Test Mode and Adjustable Time Delays

## SPECIFICATIONS

### ELECTRICAL

**OPERATING VOLTAGE**

12-24 VAC/VDC

**CURRENT DRAW**

4mA

**OUTPUT**

Logic High VDC (Occupied Mode)

**RECOMMENDED POWER PACKS**

**SENSORWORX** (e.g., SWX-900)

### ENVIRONMENTAL

**OPERATING TEMP**

-10°F to 122°F (14°C to 50°C)

**RELATIVE HUMIDITY**

0-95% Non-Condensing,  
Indoor Use Only

**ROHS COMPLIANT**

### PHYSICAL

**SIZE**

2.875" H x 2.75" W x 3.25" D  
(7.30 x 6.98 x 8.25 cm)

**WEIGHT**

4.75 oz.

**COLOR**

White

### OPERATION

**TIME DELAYS**

30 sec. to 30 min.  
10 Minute Default

**TEST MODE**

5 sec.

### OTHER LISTINGS

Meets ASHRAE Standard 90.1 & CEC Title 24 Requirements



## ORDERING INFO

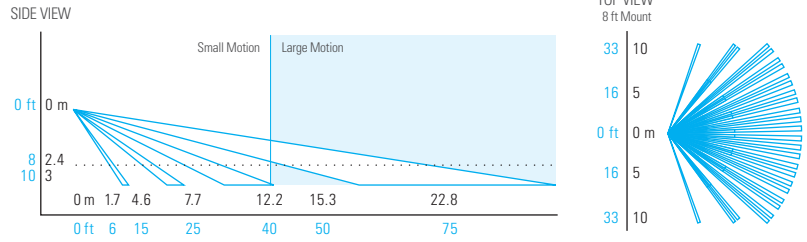
SAMPLE MODEL # SWX-421-1

	PRODUCT		DETECTION		COVERAGE		VOLTAGE	
<b>SWX</b>	Wide View Sensor	<b>4</b>	Passive Infrared (PIR) Passive Dual Technology (PIR/Acoustic)	<b>0 2</b>	120° Wide View	<b>1</b>	Low Voltage	<b>1</b>

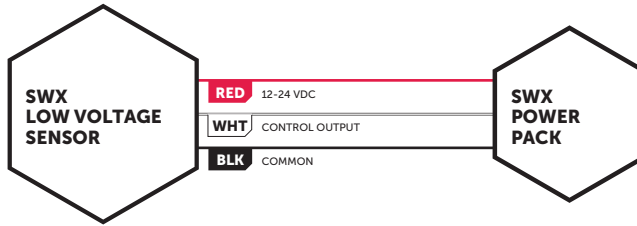
# COVERAGE PATTERN

## WIDE VIEW 120°

- Small motion (e.g. hand movements) detection up to 40 ft (12.19 m)
- Large motion (e.g. walking) detection up to 70 ft (21.34 m), perfect for hallway applications
- Designed for 8 to 12 ft (2.44 to 3.66 m) high mounting

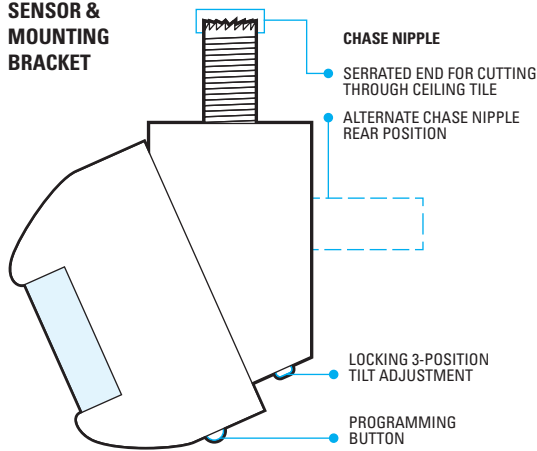


# WIRING

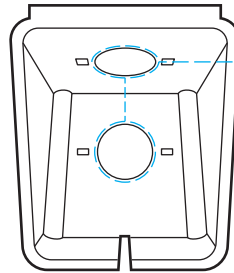


# INSTALLATION OPTIONS

## SENSOR & MOUNTING BRACKET

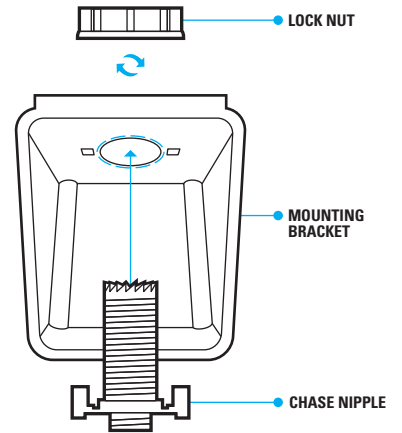


## MOUNTING WITH CHASE NIPPLE RECOMMENDED

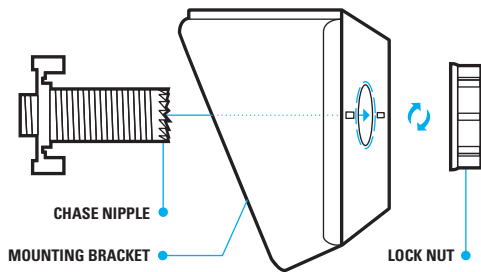


CHASE NIPPLE & LOCK NUT INCLUDED FOR MOUNTING TO CEILING TILE OR 1/2" KNOCKOUT IN JUNCTION BOX

## TOP INSTALLATION



## REAR INSTALLATION



## ADDITIONAL MOUNTING METHODS

