

PROJECT:

TYPE:

LOCATION:

CAT:



Graphite

**Description**

FrameWRX Crescent series of exterior sconce lights.

**Features**

- Painted aluminum body with diffuse polycarbonate lens
- Class I fixture
- cETLus Listed for wet locations

**Mounting**

Surface mount

**Applications**

Architectural and Security Lighting; Residential or light commercial

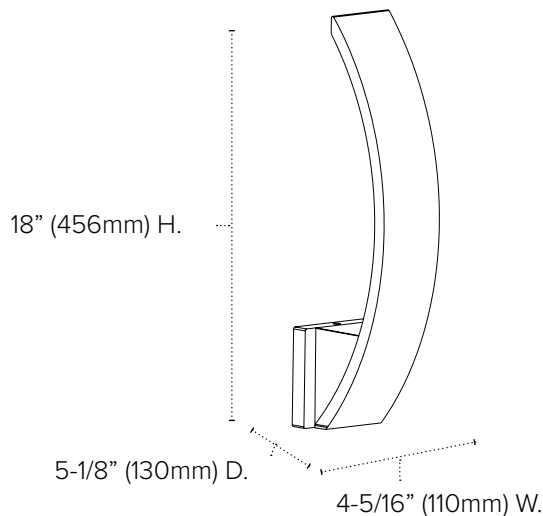
**Warranty**

3 years

## Technical Information



Model	SCO-CRESCENT
Type	Sconce
Voltage	120-240V AC
CCT	3000K
CRI	90+
Wattage	10W
Lumens	up to 550Lm
Beam Angle	120°
Dimming	N/A
Rating	cETLus, wet locations
Rated Life	30,000 Hours





## Ordering Information

---



**FrameWRX Exterior Crescent Sconce Includes:**

- (1) Crescent LED Sconce Fixture
- Mounting Hardware

Example Part # **SCO-CRESCENT-SQ-GT**



## Additional Information

---

For a rain-tight seal, apply silicone caulking around the perimeter of the housing where it contacts the mounting surface, leaving a small gap at the bottom. Also apply silicone to the top retaining screw.

## NOTES

---

---

---

---

---

---