

# LED Sports Flood

## LSF Series



### Description

LSF series is designed for outdoor sports lighting, a superior high output, high efficiency LED flood light, featuring a unique optical design that virtually eliminates glare with minimal impact on performance. It is available in a variety of flood distributions for lighting applications such as large areas, port and rail centers, interior and outdoor sports.

### Features

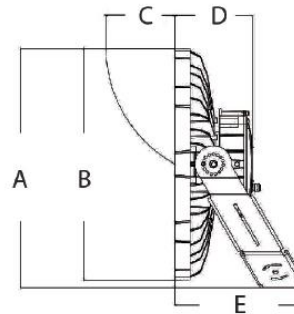
- Heavy duty, powder-coated, die-cast, aluminum housing
- LED driver easily accessible via door
- Light engine is thermally isolated from driver compartment
- UV stabilized polyester powder paint finish
- Rugged, weather tight design and 3G vibration ratings ensure durability even in harsh environments
- Horizontal and vertical aiming

Project:	
Catalog#:	
Approved by:	

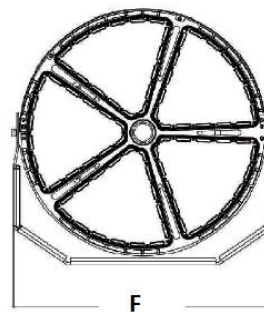
### Features

- Glare shield included
- Four beam angle options to maximize performance: T3 (15°), T4 (30°), T5 (60°), T6 (90°)
- -40°C (-40°F) to 50°C (122°F) operating temp range
- 20kV surge protection standard
- 1–10V dimming driver standard

### Dimensions



A	23" (57.3 cm)
B	Dia. 22" (55.4 cm)
C	6" (16.5 cm)
D	7" (18.6 cm)
E	12" (31.3 cm)
F	23" (58.1 cm)



Loading	
Weight (lbs)	44
EPA horizontal	3.3
EPA 25° down	3.05

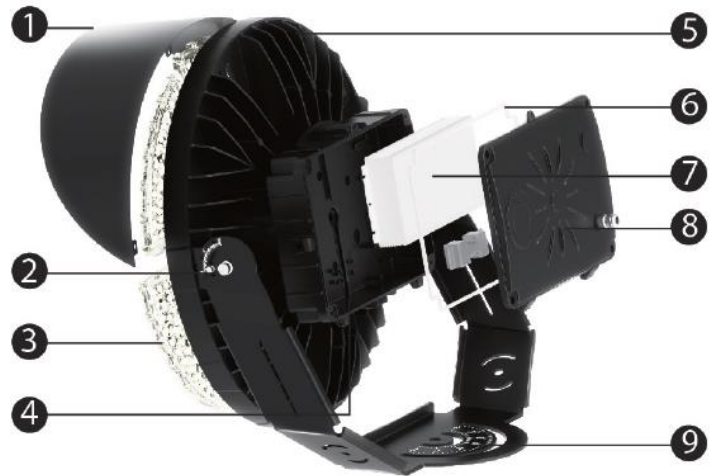


### Ordering Information

Model	Wattage Code	Input Voltage	Optical Distribution	CCT	Fixture Color	Surge Protection
LSF	C	--	--	5K	BL	2
LSF LED Sports Flood	C: 460W	MV: 120–277V HV: 200–480V	T3: 15°, 61,113 lm T4: 30°, 73,004 lm T5: 60°, 74,136 lm T6: 90°, 70,446 lm	5K: 5000K	BL: Black	2: 20kV 10kA

**Construction of LSF Series**

- 1. Glare shield
- 2. Vertical adjustment
- 3. Light source: premium LEDs, system efficacy up to 170 lm/W
- 4. Driver housing
- 5. Die casting fixture body
- 6. Gasket
- 7. Premium, 1-10V dimmable, LED driver
- 8. Driver box cover
- 9. 0 – ±90° rotatable bracket



**Photometry**

