

1x4 FLAT LENS TROFFER RETROFIT KIT

TROFFER RETROFIT



FEATURES

- American made
- Architectural design
- .040 Aluminum pre-painted housing
- One-piece unit with universal mounting brackets for rapid installation
- Post paint available
- Flat frosted acrylic lens easily removes for cleaning
- 3000K, 3500K & 4000K CCT
- 0-10V Dimmable Driver (100%-1%)
- 120-277V Universal Voltage
- EasySense Control Available
- 5 Year Warranty
- ETL Listed
- DesignLights Consortium® Qualified Luminaire



SUITABLE APPLICATIONS

- Offices
- Multipurpose Rooms
- Hallways
- Conference Rooms

| LED SYSTEMS INFO | 19W | 30W | 45W |
|---|--------------|--------------|--------------|
| Calculated L ₇₀ (TM-21) | >100K | >100K | >100K |
| Delivered Lumens | 2,319 lm | 3,561 lm | 5,018 lm |
| Total Input Watts | 19 W | 30 W | 45 W |
| Luminaire Efficacy Rating (LER) | 124 lm/W | 119 lm/W | 112 lm/W |
| Correlated Color Temperature (CCT) | 4000K | 4000K | 4000K |
| Color Rendering Index (CRI) | >80 | >80 | >80 |
| Ambient Temperature Range | -4°F - 120°F | -4°F - 120°F | -4°F - 120°F |
| Universal Driver | 120-277 V | 120-277 V | 120-277 V |
| LED System data above based on FLTR14-19WLED-UNIV-40, FLTR14-30WLED-UNIV-40 & FLTR14-45WLED-UNIV-40 LED Lumen maintenance estimates based on TM-21 projections for the light source at 25°C ambient. | | | |

ORDERING GUIDE:

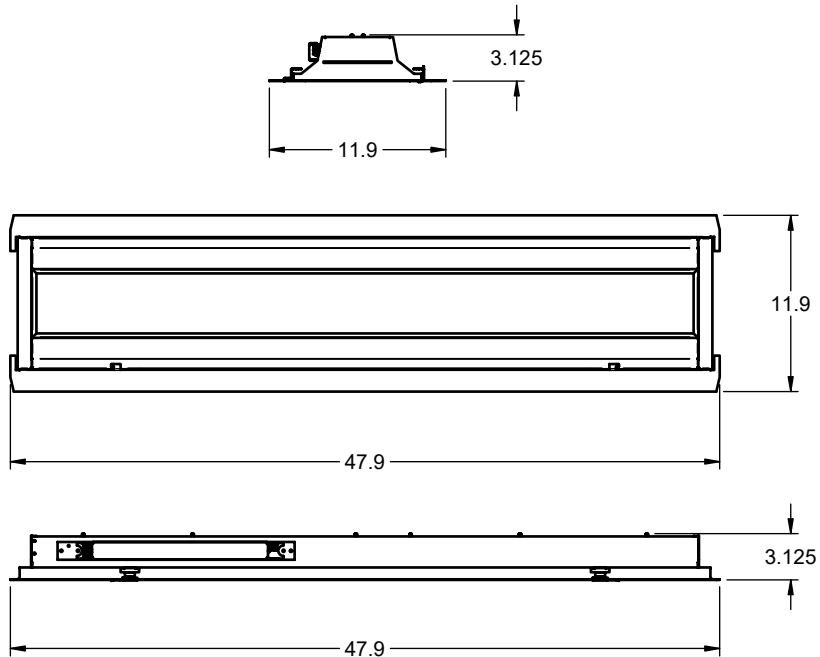
| Series | Watts | Driver | Color | Options |
|--|---|-----------------------------|-------------------------------------|---|
| FLTR14 Flat Lens Troffer Retrofit 1x4 | 19WLED 30WLED 45WLED | UNIV 120-277V Driver | 40 35 30 | POSTP Post painted aluminum ES EasySense Control ES/PCD Pre-Installed app on control device ES/WWS EasySense Wall Switch SR Sensor Ready Driver DR DALI-Ready Driver VDO[†] Lutron VIVE DFCSJ-OEM-OCC (Daylight & Occupancy) VRF[†] Lutron VIVE DFCSJ-OEM-RF (RF only) BLD* Bi-Level Dim (controlled via 2 hot leads) DIMxx Factory set custom Dim Level (1% Dimming Driver) FI/ILBCP05** Factory Installed 5W LED Battery Backup FI/ILBCP07** Factory Installed 7W LED Battery Backup FI/ILBCP10** Factory Installed 10W LED Battery Backup FI/ILBCP12** Factory Installed 12W LED Battery Backup SD480* 480V Step Down Transformer SD347* 347V Step Down Transformer |

[†] Must be used with SR Sensor Ready Driver
 * Does not qualify for DLC. Call factory for details.
 ** Battery backup options see field installed LEDBB sheet.

1x4 FLAT LENS TROFFER RETROFIT KIT

TROFFER RETROFIT

LINE DRAWING



PHOTOMETRIC REPORTS

Photometric values based upon tests performed in compliance w/ LM-79. Download IES files at www.ilp-inc.com

