

SLIM CANOPY (13"x13")

naturalLED[®] (SCM) Slim canopy is DLC Premium listed and UL for wet locations with a rating of IP65. Aesthetically pleasing construction, low-profile design with die-cast aluminum housing and shatter-resistant polycarbonate prismatic lens. Dustproof, sealed structure, 1/2" NPT threaded conduit entrances on each side. This fixture comes with or without an integral microwave occupancy sensor, factory mounted behind the lens. The microwave occupancy sensor has multiple sensor settings that can be selected via dip switch at the sensor brain inside the fixture which include: daylight sensing, step dimming, area sensitivity, standby time and on/off. The canopy supports both pendant mounting and direct surface mounting ceiling and wall. The Slim Canopy fixture can be Pendant Mounted and accepts a 3/4" NPT Thread and can be mounted to multiple types of J-boxes. Ideal applications for parking garage, canopy, walkway and entrance lighting etc.



Optional Microwave Motion Sensor



Features & Benefits

- ▶ DLC Premium Qualified
- ▶ IP65 Rated
- ▶ Multi-level motion sensor
- ▶ Long life LED chips
- ▶ Uniform and consistent color
- ▶ Excellent thermal design
- ▶ Shatter-resistant polycarbonate lens
- ▶ Finish: Aluminum die-cast

Specifications

- ▶ Input line voltage: 120-277V
- ▶ Powerfactor >0.9
- ▶ 0-10V dimming
- ▶ Operating temperature: -22°F ~ 131°F
- ▶ 50,000 hrs rated average life

Applications

- ▶ Warehouses
- ▶ Factories
- ▶ Hospitals
- ▶ Hotels
- ▶ Parking and Garage Structure

Optional Accessories (Available for purchase)

- ▶ Emergency Driver



- ▶ Motion Sensor



Ordering Information

*P= DLC Premium / S = Standard DLC

Code	Description	CCT	Watt	Lumen	Efficacy (lm/W)	Equivalent Wattage	Power Factor	Rated Hrs	IP65	DLC Premium
9244	LED-FXSCM60/40K/BK	4000K	60	7,200	120	250W	>0.9	50,000	•	P
9245	LED-FXSCM60/50K/BK	5000K	60	7,200	120	250W	>0.9	50,000	•	P
9248	LED-FXSCM85/40K/BK	4000K	85	10,200	122	400W	>0.9	50,000	•	P
9249	LED-FXSCM85/50K/BK	5000K	85	10,200	122	400W	>0.9	50,000	•	P
9211	LED-FXSCM100/40K/BK	4000K	100	12,000	120	>400W	>0.9	50,000	•	P
9212	LED-FXSCM100/50K/BK	5000K	100	12,000	120	>400W	>0.9	50,000	•	P

Accessories (available for purchase)

EM Driver

7334 BAEM15-60BC-MV-B
15 Watt Emergency Driver



Motion Sensor

P10091 SEN-UM05/ANT5
Built-In Motion Sensor 120-277V

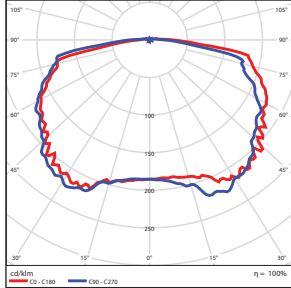


P10234 SEN-MC605V-D
Built-In Motion Sensor MV605V D 120-277V



Photometric Data

60 Watt



Zonal Lumen Summary

Zone	Lumens	% Luminaire
0-30	1262.15	17.10
0-40	2241.87	30.30
0-60	4536.93	61.30
60-80	2246.26	30.40
70-80	1051.47	14.20
90-120	142.36	1.90
90-180	154.60	2.10
0-180	7396.61	100.00

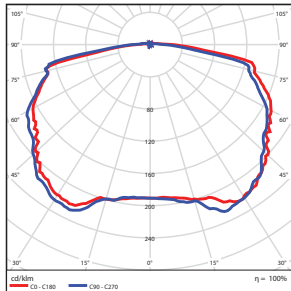
Total Luminaire Efficiency = 100.00%

Illuminance at a Distance

	Center Beam fc		Beam Width	
	Center Beam fc	Beam Width	Center Beam fc	Beam Width
2.5R	367 fc	28.1 ft	24.9 ft	
5.0R	91.7 fc	56.2 ft	49.8 ft	
7.5R	40.8 fc	84.3 ft	74.8 ft	
10.0R	22.9 fc	112.4 ft	99.7 ft	
12.5R	14.7 fc	140.5 ft	124.6 ft	
15.0R	10.2 fc	168.7 ft	149.5 ft	

■ Vert. Spread: 159.8°
■ Horiz. Spread: 157.3°

85 Watt



Zonal Lumen Summary

Zone	Lumens	% Luminaire
0-30	1757.96	17.50
0-40	3114.85	31.00
0-60	6253.8	62.20
60-80	3036.91	30.20
70-80	1423.24	14.10
80-90	584.24	5.80
90-120	171.70	1.70
90-180	186.57	1.90
0-180	10061.52	100.00

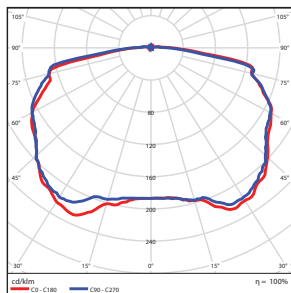
Total Luminaire Efficiency = 100.00%

Illuminance at a Distance

	Center Beam fc		Beam Width	
	Center Beam fc	Beam Width	Center Beam fc	Beam Width
2.5R	219 fc	21.4 ft	28.6 ft	
5.0R	54.8 fc	42.9 ft	57.3 ft	
7.5R	24.4 fc	64.3 ft	85.9 ft	
10.0R	13.7 fc	85.8 ft	114.5 ft	
12.5R	8.77 fc	107.2 ft	143.1 ft	
15.0R	6.09 fc	128.6 ft	171.8 ft	

■ Vert. Spread: 153.7°
■ Horiz. Spread: 160.2°

100 Watt



Zonal Lumen Summary

Zone	Lumens	% Luminaire
0-30	1154.02	17.00
0-40	2096.9	30.80
0-60	4418.05	65.00
60-80	1851.99	27.20
70-80	796.49	11.70
90-120	106.83	1.60
90-180	117.96	1.70
0-180	6801.88	100.00

Total Luminaire Efficiency = 100.00%

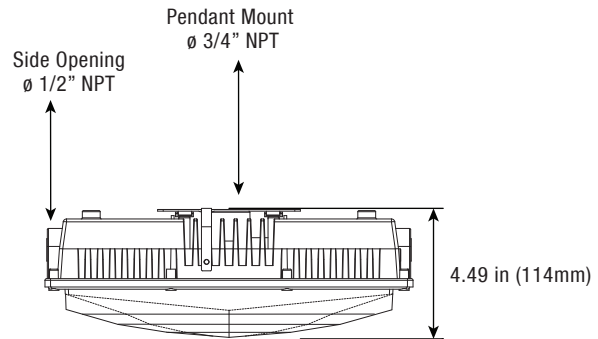
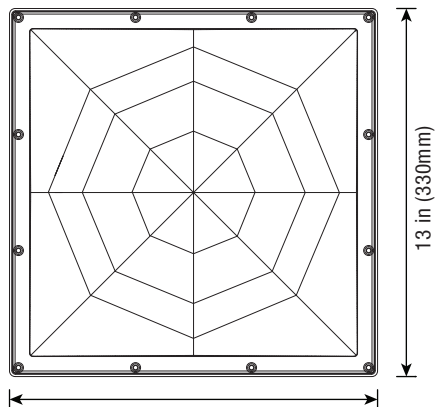
Illuminance at a Distance

	Center Beam fc		Beam Width	
	Center Beam fc	Beam Width	Center Beam fc	Beam Width
2.5R	307 fc	21.2 ft	27.3 ft	
5.0R	76.7 fc	42.3 ft	54.5 ft	
7.5R	34.1 fc	63.5 ft	81.8 ft	
10.0R	19.2 fc	84.6 ft	109.0 ft	
12.5R	12.3 fc	105.8 ft	136.3 ft	
15.0R	8.53 fc	126.9 ft	163.6 ft	

■ Vert. Spread: 153.4°
■ Horiz. Spread: 159.2°

Product Dimensions

60W Weight: 7.65-lbs
85W Weight: 8.15-lbs
100W Weight: 8.20-lbs



Package

