



# FHEX20

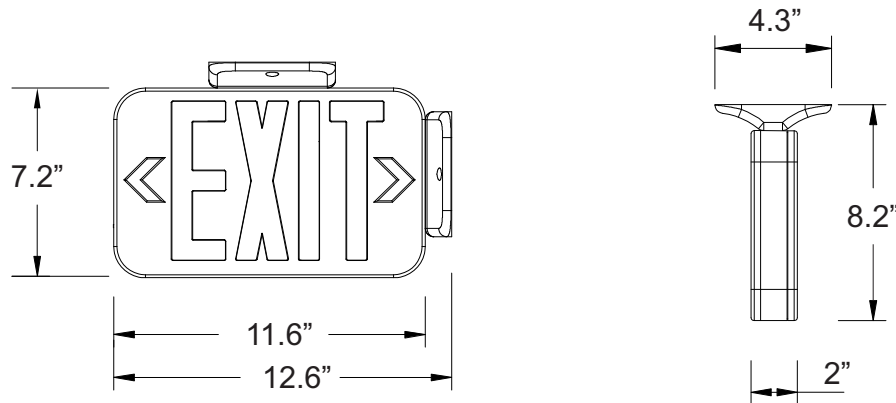
## Thermoplastic Micro LED Exit Sign

- Push to test switch
- LED charge indicator
- Long life energy saving LED light source
- Universal single and double face (extra faceplate included)
- NiCd premium battery
- Universal mounting pattern knockouts in backplate for J-Box mounting
- Snap fit faceplate installs without use of tools
- Field replaceable snap out / in chevron directional indicator
- Dual voltage 120V/277V
- UL listed in accordance with UL924

### General Specifications

	Red	Green
Input Voltage	120/277VAC	
Input Current (120V)	19mA	19mA
Input Current (277V)	9mA	9mA
Input Power (120V)	1.49W	1.49W
Input Power (277V)	1.88W	1.57W
Operating Frequency	60Hz	
Operating Ambient Temperature Range (Ta)	Ambient temperature rating (Indoor): 20°C to 30°C.	
Overall Size	12.6" L x 8.2" H	
Emergency Operation	90 minutes	
Compliance	UL 924 Listed Damp Location	
Warranty	5 years from the date of manufacture	

### Mechanical Data



FRONT VIEW

SIDE VIEW

### Part Number Matrix

**FHEX20**      **W**      **R**      **AC**

Case Color  
W = White  
B = Black

Letter Color  
R = Red  
G = Green

Operation  
AC = AC Only  
EM = Battery Backup