

GENERAL INSTALLATION GUIDELINES

Mini Thermoplastic LED Exit Sign

When using electrical equipment, including this emergency exit product, basic safety precautions should be followed at all times, including but not limited to the following:

PLEASE READ CAREFULLY AND FOLLOW ALL INSTRUCTIONS FOR YOUR SAFETY

1. Rated for temperature range of 10°C–40°C (50°F-104°F) and suitable for use in an application that is designated as a damp location area as defined by NEC Article 100, Location, Damp. UL listed to UL924 standard, complying with OSHA, and Life Safety Code.
2. Equipment should be mounted securely in locations and at heights where it will not be readily subjected to tampering by unauthorized personnel.
3. Do not mount near gas or electric heaters.
4. Consult local building code for approved wiring and installation.
5. Disconnect AC power before servicing and installation.
6. This is a dual voltage input unit (120V and 277V). Verify correct input connections as follows: 120V input to black (120V) lead; 277V input to red (277V) lead. Incorrect input connection will void warranty and may cause an unsafe condition.
7. Make sure wire terminations are secure and leads are properly tucked in appropriate wire channels.
8. Cap unused wires with enclosed wire nuts or other approved method.
9. The use of accessory equipment not recommended by the manufacturer will void product listing and warranty and may cause an unsafe condition.
10. Do not use this equipment for anything other than its intended use.
11. Any service on this equipment should be performed by qualified personnel only.
12. Use caution when servicing batteries. Avoid possible shorting.

SAVE THESE INSTRUCTIONS

IMPORTANT: The battery in this unit may not be fully charged. After electricity is connected to unit, let battery charge for at least 24 hours, then normal operation of this unit should take effect. To check, press TEST button. The emergency lamps should illuminate.

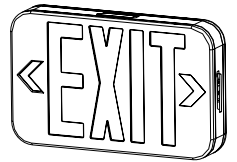
INSTALLATION:

CEILING AND END MOUNTING:

1. Remove appropriate canopy knockout.
2. Fasten J-box bracket to J-box.
3. Route housing jumper leads through knock out and canopy.
4. Connect 20" jumper leads to AC input leads in J-box. Use Black wire for 120V, Red wire for 277V, White wire is common.
5. Fasten canopy to J-box bracket.
6. Twist-Snap housing to lock canopy on to housing.
7. Only after continuous AC power can be provided, connect battery lead to open socket on circuit board.
8. Secure faceplate to housing. Remove proper chevron(s) as required to indicate appropriate path of egress.



GENERAL INSTALLATION GUIDELINES FOR Mini Thermoplastic LED Exit Sign



BACK MOUNTING:

1. Remove back cover.
2. Remove necessary knockouts and fasten back cover to J-box.
3. Connect 20" jumper leads to AC input leads in J-box.
Use Black wire for 120V, Red wire for 277V,
White wire is common.
4. Only after continuous AC power can be provided, connect battery lead to open socket on circuit board.
5. Secure faceplate to housing. Remove proper chevron(s) as required to indicate appropriate path of egress.

IMPORTANT: When re-lamping, only use lamps specified in the exit sign. Using other lamp types may result in transformer damage or unsafe conditions.

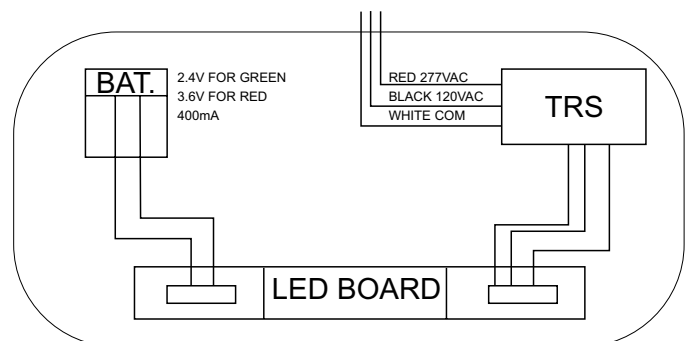
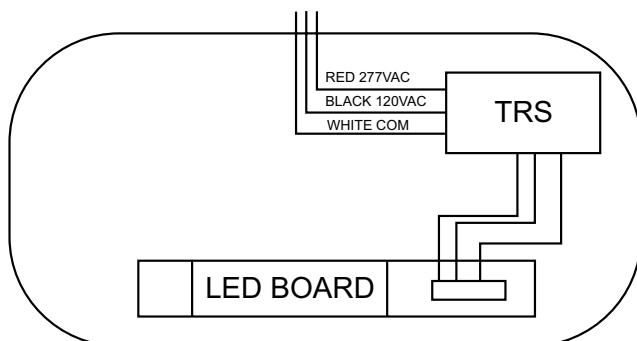
CEILING MOUNT



END MOUNT



WIRING DIAGRAM



WARNING: Unused wires must be capped using enclosed wire nuts.

