



The four-foot SHARK is available in 36W and 50W versions. This impact-resistant linear LED washdown fixture is ideal for tunnels, stairwells and other hard-to-reach areas where relamping is difficult and costly. 0-10V dimming models available.

Color: White

Weight: 13.3 lbs

Project:	Type:
Prepared By:	Date:

Driver Info		LED Info	
Type	Constant Current	Watts	50.00W
120V	0.42A	Color Temp	3000K (Warm)
208V	0.24A	Color Accuracy	72 CRI
240V	0.21A	L70 Lifespan	100,000
277V	0.18A	Lumens	5,080
Input Watts	48.10W	Efficacy	105.6 LPW
Efficiency	N/A		

Technical Specifications

Listings

UL Listing:

Suitable for wet locations

NSF:

NSF Certified by Public Health and Safety

NEMA Rating:

4X, protected against corrosion

IESNA LM-79 & LM-80 Testing:

RAB LED luminaires and LED components have been tested by an independent laboratory in accordance with IESNA LM-79 and LM-80.

DLC Listed:

This product is on the Design Lights Consortium (DLC) Qualified Products List and is eligible for rebates from DLC Member Utilities. DLC Product Code: P9KH5VF8

Construction

IP Rating:

Ingress Protection rating of IP66 for dust and water

Reflector/Tray:

Aluminum

Housing:

5VA impact-resistant polycarbonate. 1/2" openings for conduit and bushing/cord entry. Polycarbonate is affected by cleaning agents or other liquids containing partial solvents such as low molecular weight aldehydes and ethers, ketones, esters, aromatic hydrocarbons and perchlorinated hydrocarbons. [Click here for a detailed list of damaging chemicals.](#)

Mounting:

Quick-mount, surface, stainless steel spring clips supplied. 4 additional mounting accessory kits available.

Lens:

Diffuse polycarbonate lens for low glare and maximum protection

Gaskets:

EVA silicone foam

Maximum Ambient Temperature:

Suitable for use in 40°C (104°F)

Cold Weather Starting:

Minimum starting temperature is -40°C (-40°F)

Green Technology:

Mercury and UV free. RoHS-compliant components.

Finish:

Formulated for high durability and long-lasting color

LED Characteristics

LEDs:

Long-life, high-efficacy surface mount LEDs

Lifespan:

100,000-hour LED lifespan based on IES LM-80 results and TM-21 calculations

Color Stability:

LED color temperature is warrantied to shift no more than 200K in CCT over a 5-year period

Color Uniformity:

RAB's range of CCT (Correlated Color Temperature) follows the guidelines of the American National Standard for Specifications for the Chromaticity of Solid State Lighting (SSL) Products, ANSI C78.377-2017.

Technical Specifications (continued)

Electrical

Driver:

Class 2 Constant Current, 4kV, 100-277VAC, 50-60Hz

Dimming Driver:

Driver includes dimming control wiring for 0-10V dimming systems. Requires separate 0-10V DC dimming circuit. Dims as low as 10%.

THD:

8.3% at 120V, 7.2% at 277V

Power Factor:

99.0% at 120V, 95.% at 277V

Other

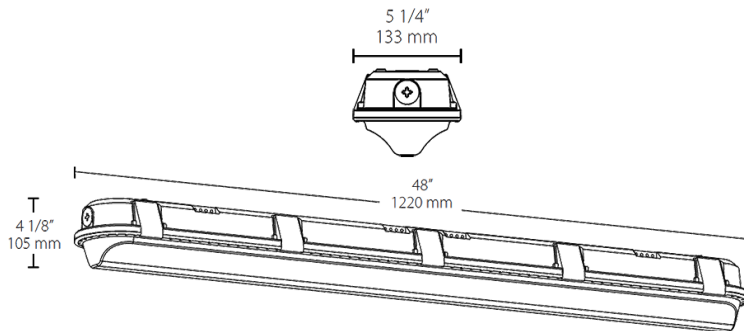
Warranty:

RAB warrants that our LED products will be free from defects in materials and workmanship for a period of five (5) years from the date of delivery to the end user, including coverage of light output, color stability, driver performance and fixture finish. RAB's warranty is subject to all terms and conditions found at rablighting.com/warranty.

Buy American Act Compliance:

RAB values USA manufacturing! Upon request, RAB may be able to manufacture this product to be compliant with the Buy American Act (BAA). Please contact customer service to request a quote for the product to be made BAA compliant.

Dimensions



Features

Impact-resistant linear washdown

Ideal for tunnels and stairwells

Mounting options: Chain, junction box, angled surface mount or vandal-resistant surface mount

IP66 Rating protects against dust & water ingress

5-Year, No-Compromise Warranty

100,000-Hour LED lifespan

Ordering Matrix

Family	Length	UL Listing	Wattage	Color Temp	Finish	Driver Options	Options
SHARK	4		50	Y	W	/D10	
	2 = 2 ft. 4 = 4 ft. 8 = 8 ft.	Blank = Standard M = Marine Listed	18 = 18W (2 ft.) 25 = 25W (2 ft.) 36 = 36W (4 ft.) 50 = 50W (4 ft.) 70 = 70W (8 ft.) 100 = 100W (8 ft.)	Blank = 5000K (Cool) N = 4000K (Neutral) YN = 3500K (Warm Neutral) Y = 3000K (Warm)	W = White	/D10 = 0-10V Dimming, 120-277V /480 = On/Off, 480V /480/D10 = 0-10V Dimming, 480V	Blank = No Option /E2 = Emergency Battery Backup /LC = Lightcloud® Controller, 120-277V /BL = Bi-Level Dimming, 120-277V /MVS = Microwave Motion Sensor, 120-277V