



Accessorize your LFLED5 Brass with 2" or 3" brass Mighty Post cap or a corrosion proof brass junction box.

Color: Brass

Weight: 2.7 lbs

Project:

Type:

Prepared By:

Date:

## Technical Specifications

### Listings

#### UL Listing:

Suitable for wet locations. Fixtures with ground wire must be used.

### Construction

#### Post Materials:

UL Schedule 40 PVC pipe

#### Set Screw:

Locks cap to post and prevents rotation

### Fits Pipe:

2.5".

### Pipe O.D.:

2 7/8

### Material:

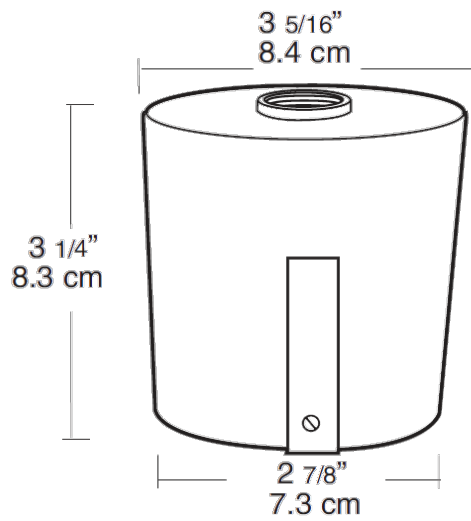
Brass

### Other

#### Buy American Act Compliance:

RAB values USA manufacturing! Upon request, RAB may be able to manufacture this product to be compliant with the Buy American Act (BAA). Please contact customer service to request a quote for the product to be made BAA compliant.

## Dimensions



## Features

- 100% non-rusting, non-corroding brass will naturally patina over time
- 100,000-hour LED lifespan
- 5-Year, No-Compromise Warranty