

Same small package.
Bigger output & more options.



LFL8

**Replaces 50W
MR16 Floodlight**

RAB[®]
LIGHTING
RABWEB.COM • 888-722-1000

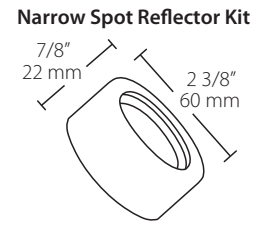
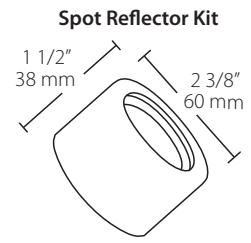
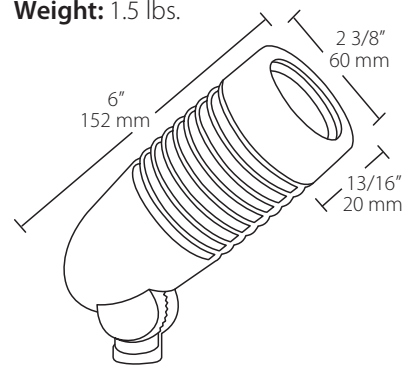
LFLLED8

- **Microprismatic diffuser produces a smooth distribution and low glare**
- **Three optical distributions available:**
Flood (standard)
Spot (optional reflector kit)
Narrow spot (optional reflector kit)
- **Runs cool; prevents burning foliage or fingers**
- **5-Year LED Warranty**



Dimensions and weight

Weight: 1.5 lbs.



Ordering information

Product Family	Wattage	Color Temp	Finish
LFLLED	8 8W	Blank 4800K N 4000K Y 3000K	A Bronze W White B Black VG Verde Green

Accessories

LSLFLED8A	Bronze Spot Reflector Kit
LSLFLED8B	Black Spot Reflector Kit
LSLFLED8W	White Spot Reflector Kit
LSLFLED8VG	Verde Green Spot Reflector Kit
LNSLFLED8A	Bronze Narrow Spot Reflector Kit
LNSLFLED8B	Black Narrow Spot Reflector Kit
LNSLFLED8W	White Narrow Spot Reflector Kit
LNSLFLED8VG	Verde Green Narrow Spot Reflector Kit

Specifications

UL Listing: Suitable for wet locations. Suitable for ground mounting.

LED: High-output, long-life LED

Lifespan: 100,000-hour LED lifespan based on IES LM-80 results and TM-21 calculations

Driver: Constant Current, 50/60 Hz, 100 - 240VAC: 0.20 Amps

Correlated Color Temp. (CCT)	3000K	4000K	4800K
Input Watts	7.2	7.2	7.2
Output Lumens	511	469	588
Lumens per Watt	72	66	82
Color Accuracy (CRI)	83	82	81

Cold Weather Starting: Minimum starting temperature is -40°F / -40°C

Thermal Management: Optimized using computational fluid dynamics software to ensure long LED and driver lifespan

Housing: Precision die-cast aluminum housing, lens frame and mounting arm

Lens: Microprismatic diffuser produces a smooth distribution and low glare

Gaskets: High temperature silicone

Finish: Our environmentally friendly polyester powder coatings are formulated for high-durability and long-lasting color, and contain no VOC or toxic heavy metals.

Color Consistency: 4-step MacAdam Ellipse binning to achieve consistent fixture-to-fixture color

Color Uniformity: RAB's range of CCT (Correlated Color Temperature) follows the guidelines of the American National Standard for Specifications for the Chromaticity of Solid State Lighting (SSL) Products, ANSI C78.377-2008.

Green Technology: Mercury and UV free, and RoHS compliant. Polyester powder coat finish formulated without the use of VOC or toxic heavy metals.

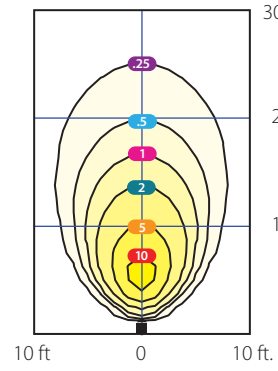
IESNA LM-79 & LM-80 Testing: RAB LED luminaires have been tested by an independent laboratory in accordance with IESNA LM-79 and LM-80, and have received the Department of Energy "Lighting Facts" label.

California Title 24: LFLLED8 complies with 2013 California Title 24 building and electrical codes as a commercial outdoor non-pole-mounted fixture < 30 Watts when used with a photosensor control. Select catalog number PCS900 (120V) or PCS900/277 to order a photosensor.

Patents: The design of the LFLLED8 is protected by patents pending in US, Canada, China, Taiwan and Mexico.

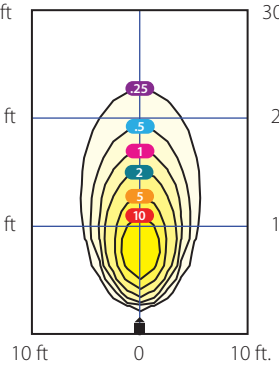
Photometrics

LFLLED8 (Flood)
5' Setback
60° Above Horizon



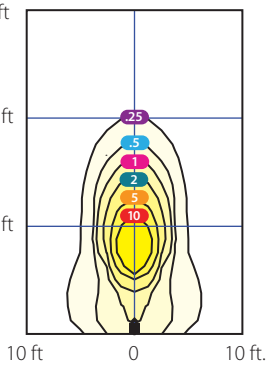
Values Shown in Footcandles
Photometric Report #ITL81963

LSLFLED8 (Spot)
5' Setback
60° Above Horizon



Values Shown in Footcandles
Photometric Report #ITL81960

LNSLFLED8 (Narrow Spot)
5' Setback
60° Above Horizon



Values Shown in Footcandles
Photometric Report #ITL81957