



LED Floodlights for solar applications or other 10-30 VDC systems. Perfect for off-grid, remote-area lighting. Up to 85% more efficient than line voltage AC solutions. Solar panel, battery and controls by others.

Color: Bronze

Weight: 3.5 lbs

Project:

Type:

Prepared By:

Date:

Driver Info

Type	DC to DC
120V	N/A
208V	N/A
240V	N/A
277V	N/A
Input Watts	14.30W
Efficiency	91%

LED Info

Watts	13.00W
Color Temp	5100K (Cool)
Color Accuracy	67 CRI
L70 Lifespan	100,000
Lumens	1,373
Efficacy	96 LPW

Technical Specifications

LED Characteristics

Lifespan:

100,000-hour LED lifespan based on IES LM-80 results and TM-21 calculations

LEDs:

13 Watt high output, long-life LED

Color Consistency:

7-step MacAdam Ellipse binning to achieve consistent fixture-to-fixture color

Color Stability:

LED color temperature is warranted to shift no more than 200K in CCT over a 5-year period

Color Temperature (Nominal CCT):

5000K

Color Uniformity:

RAB's range of CCT (Correlated Color Temperature) follows the guidelines of the American National Standard for Specifications for the Chromaticity of Solid State Lighting (SSL) Products, ANSI C78.377-2017.

Electrical

Electrical Input Specifications:

Max Watts = 15W. Input Volts = 10-30 VDC.

Operating Amps = 1.5 - 0.5A.

Surge Protection:

4kV

Optical

Spotlight Distribution:

Beam Angle of 11° and Field Angle of 24° enables the HSLED to produce a very narrow spot distribution

NEMA Type:

NEMA Beam Spread of 2H x 2V

Construction

Cold Weather Starting:

The minimum starting temperature is -30°C (-22°F)

Housing:

Precision die-cast aluminum housing, hood and mounting arm

Reflector:

Specular Aluminum

Finish:

Formulated for high durability and long-lasting color

Green Technology:

Mercury and UV free. RoHS-compliant components.

Listings

IESNA LM-70 & LM-80 Testing:

RAB LED luminaires and LED components have been tested by an independent laboratory in accordance with IESNA LM-79 and LM-80.

Other

Patents:

The design of the LFLOOD is protected by US patents and patents pending in Canada, China, Taiwan & Mexico

Warranty:

RAB warrants that our LED products will be free from defects in materials and workmanship for a period of five (5) years from the date of delivery to the end user, including coverage of light output, color stability, driver performance and fixture finish. RAB's warranty is subject to all terms and conditions found at rablighting.com/warranty.

Equipment:

Solar panel, battery and controls by others

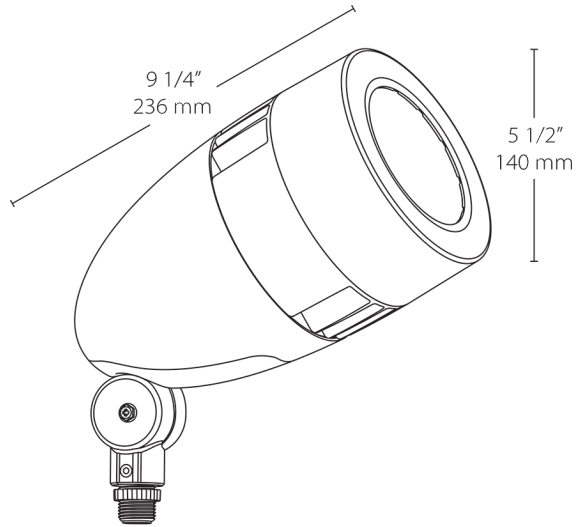
Technical Specifications (continued)

Other

Buy American Act Compliance:

RAB values USA manufacturing! Upon request, RAB may be able to manufacture this product to be compliant with the Buy American Act (BAA). Please contact customer service to request a quote for the product to be made BAA compliant.

Dimensions



Features

- Low voltage DC
- Ideal for solar applications
- Up to 85% more energy efficient
- No energy-loss from DC-AC inverter
- Enables off-grid, remote-area lighting
- 5-Year, No-Compromise Warranty