



Hang straight swivels make mounting pendants to sloped ceilings easy.

Color: Bronze

Weight: 0.2 lbs

Project:

Type:

Prepared By:

Date:

Technical Specifications

Other

Description:

Hang straight 90° 1/2" NPS swivel mount sloped ceiling. For indoor use only.

Buy American Act Compliance:

RAB values USA manufacturing! Upon request, RAB may be able to manufacture this product to be compliant with the Buy American Act (BAA). Please contact customer service to request a quote for the product to be made BAA compliant.

Construction

Maximum Weight:

HS90 suspends a light fixture with a maximum weight of 70 lbs

Material:

Precision die cast aluminum

Finish:

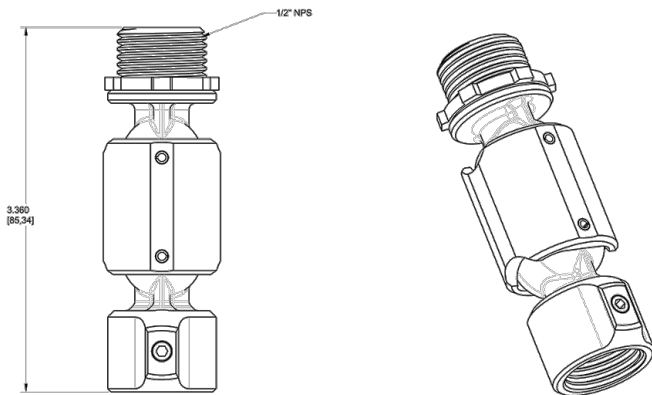
Formulated for high durability and long-lasting color

Electrical

THD:

11.6% at 120V, 21% at 277V

Dimensions



Features

Available in bronze and white and 45 or 90 degree angles

Fits 1/2" NPS