



Low-profile vandal-resistant fixture covers the footprint of most traditional canopy lights. Available in flat or drop lens with frosted and unfrosted options.

Color: Bronze

Weight: 10.0 lbs

**Project:**

**Type:**

**Prepared By:**

**Date:**

#### Driver Info

| Type        | Constant Current |
|-------------|------------------|
| 120V        | 0.11A            |
| 208V        | 0.07A            |
| 240V        | 0.06A            |
| 277V        | 0.05A            |
| Input Watts | 13.50W           |
| Efficiency  | 74%              |

#### LED Info

|                |              |
|----------------|--------------|
| Watts          | 10.00W       |
| Color Temp     | 5000K (Cool) |
| Color Accuracy | 84 CRI       |
| L70 Lifespan   | 100,000      |
| Lumens         | 1,971        |
| Efficacy       | 146 LPW      |

## Technical Specifications

### Listings

#### UL Listing:

Suitable for Wet Locations. Covered Ceiling Mount Only.

#### IESNA LM-79 & LM-80 Testing:

RAB LED luminaires and LED components have been tested by an independent laboratory in accordance with IESNA LM-79 and LM-80.

### Electrical

#### Driver:

Class 2, Constant Current, 120-277V, 50-60Hz, 120V: 0.11A, 208V: 0.07A, 240V: 0.06A, 277V: 0.05A

#### Dimming Driver:

Driver includes dimming control wiring for 0-10V dimming systems. Requires separate 0-10V DC dimming circuit. Dims as low as 10%.

#### THD:

10.56% at 120V, 17.79% at 277V

#### Power Factor:

98.2% at 120V, 89.4% at 277V

### LED Characteristics

#### LEDs:

Long-life, high-efficacy surface mount LEDs

#### Color Stability:

RAB LEDs exceed industry standards for chromatic stability

#### Color Uniformity:

RAB's range of CCT (Correlated Color Temperature) follows the guidelines of the American National Standard for Specifications for the Chromaticity of Solid State Lighting (SSL) Products, ANSI C78.377-2017.

### Construction

#### Maximum Ambient Temperature:

Suitable for use in 40°C (104°F)

#### Cold Weather Starting:

Minimum starting temperature is -40°C (-40°F)

#### Lens:

Vandal-resistant polycarbonate textured opaque for low glare drop lens

#### Housing:

Die-cast aluminum housing and lens frame with (4) 1/2" NPS side conduit entries and weatherproof rear wire plug and access plate

#### Mounting:

Ceiling mount to recessed junction with knockout template or directly to ceiling surface, utilizing side conduit entry points

#### IP Rating:

Ingress Protection rating of IP66 for dust and water

#### Air Tight:

Housing certified Air Tight as per ASTM E283

#### Finish:

Our environmentally friendly polyester powder coatings are formulated for high-durability and long-lasting color

### Other

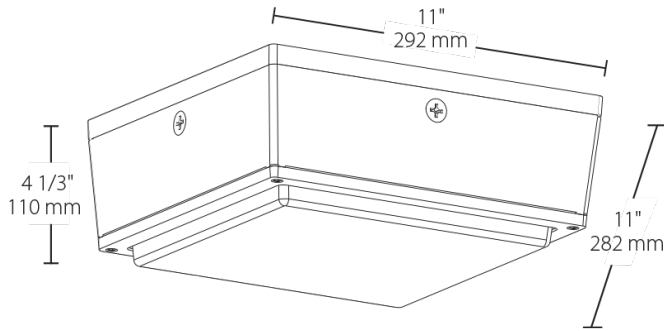
#### Warranty:

RAB warrants that our LED products will be free from defects in materials and workmanship for a period of five (5) years from the date of delivery to the end user, including coverage of light output, color stability, driver performance and fixture finish. RAB's warranty is subject to all terms and conditions found at [rablighting.com/warranty](http://rablighting.com/warranty).

#### Buy American Act Compliance:

RAB values USA manufacturing! Upon request, RAB may be able to manufacture this product to be compliant with the Buy American Act (BAA). Please contact customer service to request a quote for the product to be made BAA compliant.

## Dimensions



## Features

- Fits the footprint of older canopy lights
- Vandal resistant and UV resistant lens
- Ultra-high efficiency
- Clean, contemporary, low-profile design
- Available with drop lens or flat lens
- IP66 rated, keeps dust, bugs and water out
- Photo and motion sensor options available

## Ordering Matrix

| Family | Wattage  | Color Temp  | Lens-Optics   | Finish                      | Voltage   | Option-Motion Sensor  | Options-Control  | Options-Lightcloud  | Options-Emergency  | Suffix  |
|--------|--|---|---|-----------------------------|---|---|--|---|--|---|
| VANLED | 10   |   |   |                             |   |   |  |   |  |   |
|        | 10 = 10W<br>20 = 20W<br>28 = 28W<br>40 = 40W<br>52 = 52W<br>65 = 65W<br>75 = 75W | Blank = 5000K (Cool)<br>N = 4000K (Neutral)<br>Y = 3000K (Warm) | Blank = Drop lens<br>F = Flat lens<br>FR = Frosted Drop Lens<br>FFR = Frosted Flat Lens | Blank = Bronze<br>W = White | Blank = 120-277V, 0-10V Dim Standard<br>/480 = 480V, 0-10V Dim Standard | Blank = No Option (Standard)<br>/MVS = Microwave Sensor<br>/WS = Wattstopper, 8ft<br>/WS2 = Wattstopper, 20ft | Blank = No Options<br>/PCS = 120V Swivel Photocell<br>/PCS2 = 277V Swivel Photocell<br>/PCS4 = 480V Swivel Photocell | Blank = No Option (Standard)<br>/LC = Lightcloud® Control factory Installed | Blank = No Options<br>/E2 = Emergency Battery, 120-277V only | Blank = Standard<br>USA = Complies with the BAA |