



Low-profile vandal-resistant fixture covers the footprint of most traditional canopy lights. Available in flat or drop lens with frosted and unfrosted options.

Color: Bronze

Weight: 10.4 lbs

**Project:**

**Type:**

**Prepared By:**

**Date:**

**Driver Info**

Type	Constant Current
120V	0.65A
208V	0.38A
240V	0.33A
277V	0.29A
Input Watts	77.50W
Efficiency	97%

**LED Info**

Watts	75.00W
Color Temp	5000K (Cool)
Color Accuracy	84 CRI
L70 Lifespan	100,000
Lumens	9,344
Efficacy	120.6 LPW

## Technical Specifications

### Listings

**UL Listing:**

Suitable for Wet Locations. Covered Ceiling Mount Only.

**IESNA LM-79 & LM-80 Testing:**

RAB LED luminaires and LED components have been tested by an independent laboratory in accordance with IESNA LM-79 and LM-80.

**DLC Listed:**

This product is listed by Design Lights Consortium (DLC) as an ultra-efficient premium product that qualifies for the highest tier of rebates from DLC Member Utilities. DLC Product Code: PJUKIS30

### Electrical

**Driver:**

Class 2, Constant Current, 120-277V, 50-60Hz, 120V: 0.65A, 208V: 0.38A, 240V: 0.33A, 277V: 0.29A

**Dimming Driver:**

Driver includes dimming control wiring for 0-10V dimming systems. Requires separate 0-10V DC dimming circuit. Dims as low as 10%.

**THD:**

5.23% at 120V, 6.73% at 277V

**Power Factor:**

99.7% at 120V, 94.7% at 277V

### LED Characteristics

**LEDs:**

Long-life, high-efficacy surface mount LEDs

**Color Stability:**

RAB LEDs exceed industry standards for chromatic stability

**Color Uniformity:**

RAB's range of CCT (Correlated Color Temperature) follows the guidelines of the American National Standard for Specifications for the Chromaticity of Solid State Lighting (SSL) Products, ANSI C78.377-2017.

### Construction

**Maximum Ambient Temperature:**

Suitable for use in 40°C (104°F)

**Cold Weather Starting:**

Minimum starting temperature is -40°C (-40°F)

**Lens:**

Vandal-resistant polycarbonate textured opaque for low glare drop lens

**Housing:**

Die-cast aluminum housing and lens frame with (4) 1/2" NPS side conduit entries and weatherproof rear wire plug and access plate

### Mounting:

Ceiling mount to recessed junction with knockout template or directly to ceiling surface, utilizing side conduit entry points

**IP Rating:**

Ingress Protection rating of IP66 for dust and water

**Air Tight:**

Housing certified Air Tight as per ASTM E283

**Finish:**

Our environmentally friendly polyester powder coatings are formulated for high-durability and long-lasting color

### Other

**Warranty:**

RAB warrants that our LED products will be free from defects in materials and workmanship for a period of five (5) years from the date of delivery to the end user, including coverage of light output, color stability, driver performance and fixture finish. RAB's warranty is subject to all terms and conditions found at [rablighting.com/warranty](http://rablighting.com/warranty).

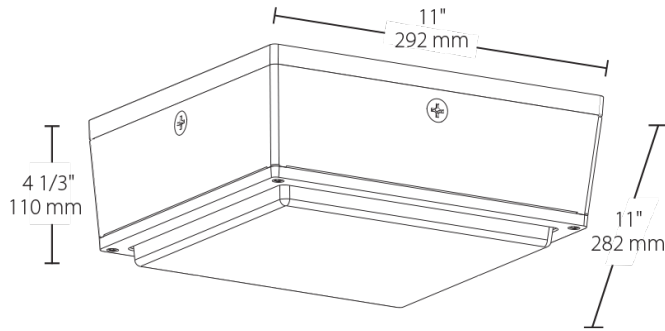
## Technical Specifications (continued)

### Other

#### Buy American Act Compliance:

RAB values USA manufacturing! Upon request, RAB may be able to manufacture this product to be compliant with the Buy American Act (BAA). Please contact customer service to request a quote for the product to be made BAA compliant.

### Dimensions



### Features

- Fits the footprint of older canopy lights
- Vandal resistant and UV resistant lens
- Ultra-high efficiency
- Clean, contemporary, low-profile design
- Available with drop lens or flat lens
- IP66 rated, keeps dust, bugs and water out
- Photo and motion sensor options available

### Ordering Matrix

Family	Wattage	Color Temp	Lens-Optics	Finish	Voltage	Option-Motion Sensor	Options-Control	Options-Lightcloud	Options-Emergency	Suffix
VANLED	75									
	10 = 10W 20 = 20W 28 = 28W 40 = 40W 52 = 52W 65 = 65W 75 = 75W	Blank = 5000K (Cool) N = 4000K (Neutral) Y = 3000K (Warm)	Blank = Drop lens F = Flat lens FR = Frosted Drop Lens FFR = Frosted Flat Lens	Blank = Bronze W = White	Blank = 120-277V, 0-10V Dim Standard /480 = 480V, 0-10V Dim Standard	Blank = No Option (Standard) /MVS = Microwave Sensor /WS = Wattstopper, 8ft /WS2 = Wattstopper, 20ft	Blank = No Options /PCS = 120V Swivel Photocell /PCS2 = 277V Swivel Photocell /PCS4 = 480V Swivel Photocell	Blank = No Option (Standard) /LC = Lightcloud® Control factory Installed	Blank = No Options /E2 = Emergency Battery, 120-277V only	Blank = Standard USA = Complies with the BAA