

Available accessories include polyshield and wire guards, replacement lens and frame, and an occupancy sensor.

Weight: 0.4 lbs

<b>Project:</b>	<b>Type:</b>
<b>Prepared By:</b>	<b>Date:</b>

## Technical Specifications

### Other

#### Description:

Guard wire for highbay 78W LED with stainless steel screws

### Buy American Act Compliance:

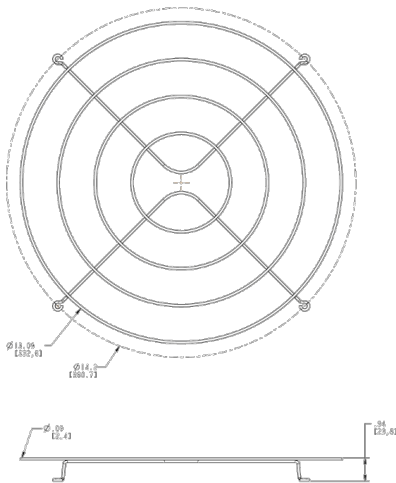
RAB values USA manufacturing! Upon request, RAB may be able to manufacture this product to be compliant with the Buy American Act (BAA). Please contact customer service to request a quote for the product to be made BAA compliant.

### Electrical

#### THD:

6.1% at 120V, 10.1% at 277V

## Dimensions



## Features

Fully compatible with BAYLED and AISLED fixtures

Commercial grade

For assistance in ordering please contact RAB customer service 1 888-RAB-1000