



Color: Bronze

Weight: 7.2 lbs

<b>Project:</b>	<b>Type:</b>
<b>Prepared By:</b>	<b>Date:</b>

Driver Info		LED Info	
Type	Constant Current	Watts	26.00W
120V	0.26A	Color Temp	5000K (Cool)
208V	0.16A	Color Accuracy	72 CRI
240V	0.14A	L70 Lifespan	100,000
277V	0.12A	Lumens	3,483
Input Watts	29.10W	Efficacy	119.7 LPW
Efficiency	89%		

**Technical Specifications**

**Electrical**

**Driver:**

Constant Current, Class 2, 50/60 Hz, 120 - 277VAC 0.4 Amps.

**THD:**

11.91% at 120V, 9.58% at 277V

**Power Factor:**

99.1% at 120V, 93.1% at 277V

**Battery Backup:**

Minimum starting temperature is 0°C/32°F

**Battery Mode:**

Light output use LLD of .76 to simulate light output during battery mode operation.

**Listings**

**DLC Listed:**

This product is listed by Design Lights Consortium (DLC) as an ultra-efficient premium product that qualifies for the highest tier of rebates from DLC Member Utilities. DLC Product Code: P00001701

**UL Listing:**

Suitable for Wet Locations as downlight. Wall Mount Only. Battery Backup UL 924 Listed Emergency Lighting Power Supply.

**LED Characteristics**

**Lifespan:**

100,000-hour LED lifespan based on IES LM-80 results and TM-21 calculations

**LED:**

Two (2) 13W high-output, long-life LEDs

**Color Consistency:**

7-step MacAdam Ellipse binning to achieve consistent fixture-to-fixture color

**Color Stability:**

LED color temperature is warranted to shift no more than 200K in CCT over a 5-year period

**Color Uniformity:**

RAB's range of CCT (Correlated Color Temperature) follows the guidelines of the American National Standard for Specifications for the Chromaticity of Solid State Lighting (SSL) Products, ANSI C78.377-2017.

**Battery Backup**

**Backup Battery:**

Two field-replaceable, high-temperature, maintenance-free, nickel-cadmium batteries

**Construction**

**Ambient Temperature:**

Suitable for use in 35°C (95°F)

**Gaskets:**

High-temperature silicone

**Housing:**

Precision die-cast aluminum housing, lens frame and mounting arm

**Finish:**

Formulated for high durability and long-lasting color

**Green Technology:**

Mercury and UV free. RoHS-compliant components.

**Other**

**Patents:**

The WPLED26 design is protected by U.S. Patent D634878 and Patents pending in the U.S., Canada, China, Taiwan and Mexico.

**Technical Specifications (continued)**

**Other**

**Equivalency:**

Equivalent to 175W Metal Halide

**Buy American Act Compliance:**

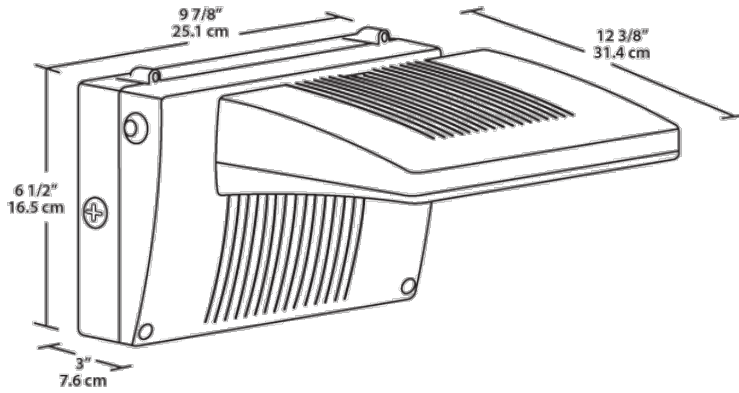
RAB values USA manufacturing! Upon request, RAB may be able to manufacture this product to be compliant with the Buy American Act (BAA). Please contact customer service to request a quote for the product to be made BAA compliant.

**Optical**

**BUG Rating:**

B1 U0 G0

**Dimensions**



**Features**

- Maintains 70% of initial lumens at 100,000-hours
- Weatherproof high temperature silicone gaskets
- Superior heat sinking with die cast aluminum housing and external fins
- 100 up to 277 Volts
- 5-Year, No-Compromise Warranty