



Rectangular shaped LED floodlight designed to replace 150W Metal Halide. patent-pending "Air-Flow" technology ensures long LED and driver lifespan. Use for building façades lighting, sign lighting, LED landscape lighting and instant-on security lighting.

Color: Bronze

Weight: 12.8 lbs

**Project:**

**Type:**

**Prepared By:**

**Date:**

#### Driver Info

| Type        | Constant Current |
|-------------|------------------|
| 120V        | 0.35A            |
| 208V        | 0.23A            |
| 240V        | 0.20A            |
| 277V        | 0.16A            |
| Input Watts | 41.80W           |
| Efficiency  | 93%              |

#### LED Info

|                |              |
|----------------|--------------|
| Watts          | 39.00W       |
| Color Temp     | 3000K (Warm) |
| Color Accuracy | 71 CRI       |
| L70 Lifespan   | 100,000      |
| Lumens         | 4,880        |
| Efficacy       | 116.7 LPW    |

## Technical Specifications

### Listings

#### UL Listing:

Suitable for wet locations. Suitable for mounting within 1.2m (4ft) of the ground.

#### DLC Listed:

This product is listed by Design Lights Consortium (DLC) as an ultra-efficient premium product that qualifies for the highest tier of rebates from DLC Member Utilities. DLC Product Code: PUQP6MR7

### LED Characteristics

#### Lifespan:

100,000-hour LED lifespan based on IES LM-80 results and TM-21 calculations

#### LEDs:

Long-life, high-efficacy surface mount LEDs

#### Color Consistency:

3-step MacAdam Ellipse binning to achieve consistent fixture-to-fixture color

#### Color Stability:

LED color temperature is warrantied to shift no more than 200K in CCT over a 5-year period

#### Color Uniformity:

RAB's range of CCT (Correlated Color Temperature) follows the guidelines of the American National Standard for (SSL) Products, ANSI C78.377-2017.

### Electrical

#### Driver:

Constant Current, Class 2, 120-277V, 50-60Hz, 120V: 0.35A, 208V: 0.23A, 240V: 0.13A, 277V: 0.11A

#### Dimming Driver:

Driver includes dimming control wiring for 0-10V dimming systems. Requires separate 0-10V DC dimming circuit. Dims as low as 10%.

#### THD:

8.9% at 120V, 16.93% at 277V

#### Power Factor:

99.1% at 120V, 92% at 277V

#### Note:

All values are typical (tolerance +/- 10%)

### Construction

#### Lens:

Soda lime silica clear glass

#### Housing:

Die cast aluminum housing, lens frame and mounting arm

### Mounting:

Heavy-duty mounting arm with "O" ring seal & stainless steel screw

### IP Rating:

Ingress Protection rating of IP66 for dust and water

### Maximum Ambient Temperature:

Suitable for use in 40°C (104°F)

### Cold Weather Starting:

Minimum starting temperature is -40°C (-40°F)

### Effective Projected Area:

EPA = 0.65

## Technical Specifications (continued)

### Construction

#### Green Technology:

Mercury and UV free. RoHS-compliant components.

#### Finish:

Formulated for high durability and long-lasting color

### Optical

#### NEMA Type:

NEMA Beam Spread of 5H x 5V

### Other

#### Equivalency:

Equivalent to 250W Metal Halide

#### Warranty:

RAB warrants that our LED products will be free from defects in materials and workmanship for a period of five (5) years from the date of delivery to the end user, including coverage of light output, color stability, driver performance and fixture finish. RAB's warranty is subject to all terms and conditions found at [rablighting.com/warranty](http://rablighting.com/warranty).

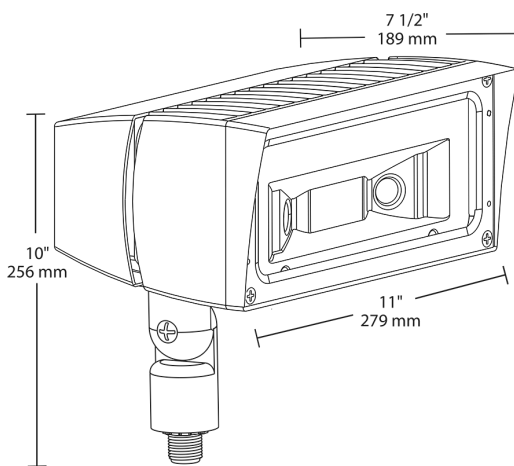
#### Patents:

The FFLED design is protected by U.S. Pat. D643,147, Canada Pat. 140798, China Pat. ZL201130171304.1, Mexico Pat. 36757 and pending patent in Taiwan.

### Buy American Act Compliance:

RAB values USA manufacturing! Upon request, RAB may be able to manufacture this product to be compliant with the Buy American Act (BAA). Please contact customer service to request a quote for the product to be made BAA compliant.

## Dimensions



## Features

- Ultra-efficient LED and optical design
- Replaces 150W MH floodlights
- 100,000-hour life based on LM-80 results and TM-21 calculations
- "Air-Flow" technology heatsink
- 5-Year, No-Compromise Warranty

## Ordering Matrix

| Family   | Wattage  | Mounting   | Color Temp   | NEMA Type                                 | Finish   | Driver   | Options   | Other Options |
|--|--|--|--|---|--|--|---|---------------|
| FFLED  | 39   |  | Y  | B55                                       |  |  |   |               |
| 18 = 18W<br>26 = 26W<br>39 = 39W<br>52 = 52W<br>80 = 80W | <b>Blank</b> = Swivel Arm<br><b>SF</b> = Slipfitter<br><b>T</b> = Trunnion | <b>Blank</b> = 5000K (Cool)<br><b>N</b> = 4000K (Neutral)<br><b>Y</b> = 3000K (Warm) | <b>Blank</b> = 7H x 6V<br><b>B55</b> = 5H x 5V<br><b>B44</b> = 4H x 4V | <b>Blank</b> = Bronze<br><b>W</b> = White | <b>Blank</b> = On/Off <sup>1</sup><br><b>/D10</b> = 0-10V Dimming<br><b>/480</b> = 480V On/Off <sup>2</sup><br><b>/E</b> = 120-277V Battery Backup<br><b>/EC</b> = Cold Start Battery Backup | <b>Blank</b> = No Option<br><b>/PC</b> = 120V Photocell<br><b>/PC2</b> = 277V Photocell<br><b>/PCS</b> = 120V Swivel Photocell<br><b>/PCS2</b> = 277V Swivel Photocell<br><b>/PCS4</b> = 480V Swivel Photocell<br><b>/PCU</b> = 120-277V Button Photocell<br><b>/MS</b> = Mini Sensor<br><b>/STL3</b> = Stealth Sensor | <b>Blank</b> = Standard<br><b>USA</b> = BAA Compliant |               |

<sup>1</sup> Dimming Driver for 18W, 26W & 39W models only

<sup>2</sup> Not available for 80W models