



LED Floodlights for solar applications or other 10-30 VDC systems. Perfect for off-grid, remote-area lighting. Up to 85% more efficient than line voltage AC solutions.

Color: Bronze

Weight: 4.8 lbs

**Project:**

**Type:**

**Prepared By:**

**Date:**

### Driver Info

Type	DC to DC
120V	N/A
208V	N/A
240V	N/A
277V	N/A
Input Watts	24.00W
Efficiency	75%

### LED Info

Watts	18.00W
Color Temp	5000K (Cool)
Color Accuracy	71 CRI
L70 Lifespan	100,000
Lumens	1,681
Efficacy	70 LPW

## Technical Specifications

### LED Characteristics

#### Lifespan:

100,000-hour LED lifespan based on IES LM-80 results and TM-21 calculations

#### LEDs:

Multi-chip 18 watt, high-output, long-life LEDs

#### Color Consistency:

7-step MacAdam Ellipse binning to achieve consistent fixture-to-fixture color

#### Color Stability:

LED color temperature is warranted to shift no more than 200K in CCT over a 5-year period

#### Color Uniformity:

RAB's range of CCT (Correlated Color Temperature) follows the guidelines of the American National Standard for Specifications for the Chromaticity of Solid State Lighting (SSL) Products, ANSI C78.377-2017.

### Electrical

#### Electrical Input Specifications:

Max Watts = 24W. Input Volts = 10-30 VDC.  
Operating Amps = 3.0 - 1.0A.

### Construction

#### Cold Weather Starting:

The minimum starting temperature is -30°C (-22°F)

#### Housing:

Die-cast aluminum housing, hood and mounting arm

#### Mounting:

Heavy-duty arm with "O" ring seal and stainless steel screws

#### Reflector:

Specular aluminum

#### Gaskets:

High-temperature silicone gaskets

#### Finish:

Formulated for high durability and long-lasting color

#### Green Technology:

Mercury and UV free. RoHS-compliant components.

### Optical

#### NEMA Type:

NEMA Beam Spread of 7H x 6V

### Listings

#### IESNA LM-79 & LM-80 Testing:

RAB LED luminaires and LED components have been tested by an independent laboratory in accordance with IESNA LM-79 and LM-80.

### Other

#### Patents:

The design of the LFLOOD is protected by US patents pending in US., Canada, China, Taiwan & Mexico.

#### Warranty:

RAB warrants that our LED products will be free from defects in materials and workmanship for a period of five (5) years from the date of delivery to the end user, including coverage of light output, color stability, driver performance and fixture finish. RAB's warranty is subject to all terms and conditions found at [rablighting.com/warranty](http://rablighting.com/warranty).

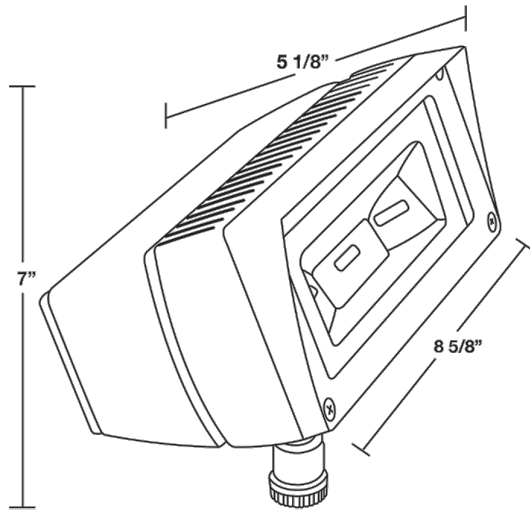
#### Equipment:

Solar panel, battery and controls by others

#### Buy American Act Compliance:

RAB values USA manufacturing! Upon request, RAB may be able to manufacture this product to be compliant with the Buy American Act (BAA). Please contact customer service to request a quote for the product to be made BAA compliant.

## Dimensions



## Features

- Low voltage DC
- Ideal for solar applications
- Up to 85% more energy efficient
- No energy-loss from DC-AC inverter
- Enables off-grid, remote-area lighting
- 5-Year, No-Compromise Warranty