



12W LED equivalent to 75W BR30/halogen/wide flood. Available in black, white, bronze and verde green.

Color: Bronze

Weight: 3.4 lbs

**Project:**

**Type:**

**Prepared By:**

**Date:**

**Driver Info**

|             |                  |
|-------------|------------------|
| Type        | Constant Current |
| 120V        | 0.10A            |
| 208V        | N/A              |
| 240V        | N/A              |
| 277V        | N/A              |
| Input Watts | 13.20W           |
| Efficiency  | 91%              |

**LED Info**

|                |                 |
|----------------|-----------------|
| Watts          | 12.00W          |
| Color Temp     | 4000K (Neutral) |
| Color Accuracy | 84 CRI          |
| L70 Lifespan   | 100,000         |
| Lumens         | 1,264           |
| Efficacy       | 95.8 LPW        |

## Technical Specifications

### Listings

**UL Listing:**

Suitable for wet locations. Suitable for mounting within 4 feet of the ground.

**IESNA LM-79 & LM-80 Testing:**

RAB LED luminaires and LED components have been tested by an independent laboratory in accordance with IESNA LM-79 and LM-80.

### Electrical

**Driver:**

Innovative integrated driver technology with 120V TRIAC and ELV dimming

**THD:**

11.7% at 120V

**Power Factor:**

99.3% at 120V

**Note:**

All values are typical (tolerance +/- 10%)

### LED Characteristics

**LEDs:**

Multi-chip, high-output, long-life LEDs

**Lifespan:**

100,000-Hour LED lifespan based on IES LM-80 results and TM-21 calculations

**Color Stability:**

LED color temperature is warranted to shift no more than 200K in CCT over a 5-year period

**Color Uniformity:**

RAB's range of CCT (Correlated Color Temperature) follows the guidelines of the American National Standard for Specifications for the Chromaticity of Solid State Lighting (SSL) Products, ANSI C78.377-2017.

### Construction

**Thermal Management:**

Superior heat sinking with external Air-Flow fins

**Housing:**

Die-cast aluminum housing, lens frame and mounting plate

**Reflector:**

Semi-specular, vacuum-metalized polycarbonate

**Lens:**

Microprismatic diffusion lens for smooth and even light distribution

**Mounting:**

Heavy-duty mounting arm with "O" ring seal and stainless steel screws

**Gaskets:**

High-temperature silicone gaskets

**Finish:**

Our environmentally friendly polyester powder coatings are formulated for high-durability and long-lasting color

**Green Technology:**

Mercury and UV free. RoHS-compliant components.

### Other

**Warranty:**

RAB warrants that our LED products will be free from defects in materials and workmanship for a period of five (5) years from the date of delivery to the end user, including coverage of light output, color stability, driver performance and fixture finish. RAB's warranty is subject to all terms and conditions found at [rablighting.com/warranty](http://rablighting.com/warranty).

## Technical Specifications (continued)

### Other

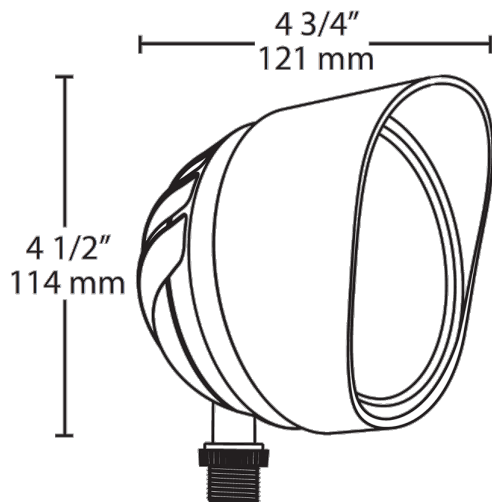
#### Equivalency:

Equivalent to 75W halogen BR30 wide flood

### Buy American Act Compliance:

RAB values USA manufacturing! Upon request, RAB may be able to manufacture this product to be compliant with the Buy American Act (BAA). Please contact customer service to request a quote for the product to be made BAA compliant.

## Dimensions



## Features

12W LED equivalent to 75W BR30/halogen/wide flood

Mount as an uplight or downlight on a RAB Mighty Post or junction box

Microprismatic diffusion lens for smooth and even light distribution

100,000-hour LED Lifespan

## Ordering Matrix

| Family | Wattage                | Color Temp  | Finish   | Other Options                           |
|--------|------------------------|---|--|---|
| BULLET | 12                     | N   | A  |   |
|        | 12 = 12W<br>2X12 = 24W | Blank = 5000K (Cool)<br>N = 4000K (Neutral)<br>Y = 3000K (Warm) | A = Bronze<br>B = Black<br>VG = Verde Green<br>W = White | USA = BAA Compliant<br>Blank = Standard |