



78W AISLED high bay delivers ultra efficient LED technology with uniform vertical light distribution for improved aisle lighting.

Color: White

Weight: 25.9 lbs

**Project:**

**Type:**

**Prepared By:**

**Date:**

#### Driver Info

Type	Constant Current
120V	0.82A
208V	0.52A
240V	0.45A
277V	0.4A
Input Watts	91.00W
Efficiency	86%

#### LED Info

Watts	78.00W
Color Temp	5100K (Cool)
Color Accuracy	72 CRI
L70 Lifespan	100,000
Lumens	9,927
Efficacy	109.1 LPW

## Technical Specifications

### Listings

#### UL Listing:

Suitable for damp locations with cord and hook.  
Suitable for wet locations with 3/4" pendant stem.  
Covered ceiling mount only.

#### IESNA LM-79 & LM-80 Testing:

RAB LED luminaires and LED components have been tested by an independent laboratory in accordance with IESNA LM-79 and LM-80.

### LED Characteristics

#### LEDs:

Three multi-chip, 26W high-output, long-life LEDs

#### Lifespan:

100,000-hour LED lifespan based on IES LM-80 results and TM-21 calculations

#### Color Consistency:

7-step MacAdam Ellipse binning to achieve consistent fixture-to-fixture color

#### Color Stability:

LED color temperature is warrantied to shift no more than 200K in CCT over a 5-year period

#### Color Uniformity:

RAB's range of CCT (Correlated Color Temperature) follows the guidelines of the American National Standard for Specifications for the Chromaticity of Solid State Lighting (SSL) Products, ANSI C78.377.2011.

### Electrical

#### THD:

8.5% at 120V, 10.7% at 277V

#### Power Factor:

99.6% at 120V, 93.9% at 277V

#### Drivers (3):

Constant Current, 720mA, Class 2 with 6kV surge protection, 100-277VAC, 50/60 Hz

### Construction

#### Ambient Temperature:

AISLED will operate from -40°C (-40°F) to 40°C (104°F)

#### Thermal Management:

Superior thermal management with external air-flow fins

#### Housing:

Precision die-cast aluminum housing and door frame with 3-foot 600V power cord

#### Mounting:

Heavy-duty 3/4" NPS hook and 3 foot safety chain

### Recommended Mounting Height:

25 ft

#### Lens:

Tempered glass

#### Reflector:

Specular vacuum metallized polycarbonate. AISLED78 reflector provides superior rectangular distribution pattern specifically designed for aisle lighting.

#### Gaskets:

High-temperature silicone

#### Finish:

Formulated for high durability and long-lasting color

## Technical Specifications (continued)

### Construction

#### Green Technology:

Mercury and UV free. RoHS-compliant components.

#### Other

#### Patents:

The design of the AISLED™ is protected by patents pending in US, Canada, China, Taiwan and Mexico

#### Accessories:

Available accessories include protective polyshield and wire guards, replacement lens and doorframe, and an occupancy sensor. [Click here to see all accessories.](#)

#### Equivalency:

Equivalent to 4 lamp T8 fixtures

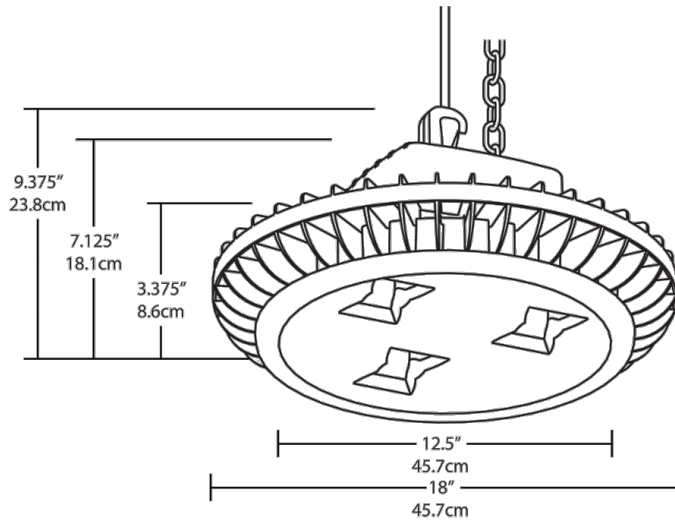
#### Warranty:

RAB warrants that our LED products will be free from defects in materials and workmanship for a period of five (5) years from the date of delivery to the end user, including coverage of light output, color stability, driver performance and fixture finish. RAB's warranty is subject to all terms and conditions found at [rablighting.com/warranty](http://rablighting.com/warranty).

#### Buy American Act Compliance:

RAB values USA manufacturing! Upon request, RAB may be able to manufacture this product to be compliant with the Buy American Act (BAA). Please contact customer service to request a quote for the product to be made BAA compliant.

## Dimensions



## Features

- Efficient, aisle-shaped, vertical illumination
- Eliminates hot spots on higher shelves that can cause glare, improving overall visibility
- 100,000-hour LED lifespan
- 5-Year, No-Compromise Warranty

## Ordering Matrix

Family	Wattage	Color Temp	Finish	Driver Option
AISLED	78		W	
	78 = 78W	Blank = 5000K (Cool) N = 4000K (Neutral) Y = 3000K (Warm)	W = White	Blank = No Option /BL = Bi-Level /D10 = 0-10V Dimming /LC = Lightcloud® Controller /D10/LC = 0-10V Dimming w/ Lightcloud®