

# Lumination™ LED Luminaires

Downlights Powered by Infusion™  
DI 4" Square Series



Project name \_\_\_\_\_

Date \_\_\_\_\_

Type \_\_\_\_\_

## Product Description:

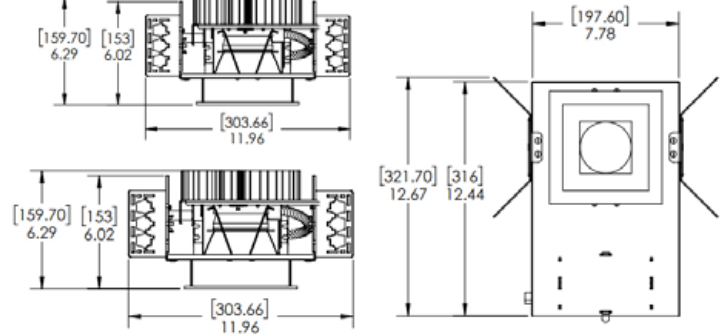
Lumination™ DI Series LED downlights are powered by the Infusion™ module for exceptional efficacy and color rendering. Designed for new construction applications, the DI4S is available in four color temperatures and five lumen packages, all with 90+ CRI. Matching custom engineered reflectors ensure a 45° cutoff.

## Performance Summary:

**Distribution Patterns:** Wide 65°  
**Input Voltage:** 120V, 277V, 347V  
**Standard Dimming Controls:** 0-10V, Phase Dimming, Lutron or Daintree to 10%  
**CCT:** 2700K, 3000K, 3500K, 4000K  
**CRI:** 90  
**Color Consistency:** 4 Step MacAdam Ellipse  
**Lifetime Rating:** L85 @ 50,000 hours, TriGain™ L70 @ 60,000 hrs.  
**Input Frequency (Hz):** 60Hz  
**Power Factor:** >0.9  
**Mounting Options:** Hanger bars for grid or drywall ceilings (ordered separately under Accessories)  
**Weight:** 5.2 lb  
**IC Rating:** Non-IC Rated  
**Limited Warranty:** 5 years system  
**Files Available:** LM79, LM80, IES, Revit

## Product Dimensions:

### 4" DI Square



Nominal Module Lumens	1000	1500	2000	3000	4000
Delivered Lumen Output	870	1290	1750	2620	3426
System Input Power (W)	14	20	25	38	51
System Efficacy (LPW)	62	66	70	69	67
Emergency Mode Lumens	630	630	630	630	630

Daintree driver adds 1.4 Watts to System Input Power (W).

Listings:



- UL and cUL Listed.
- Suitable for damp locations.

a product of  
**ecomagination™**



## Ordering Information: A complete fixture consists of a Housing + LED Module + Reflector

### 1. Housing + Infusion LED Module + Reflector - Example: DI4S109271V10

INTERNAL CODE	FIXTURE TYPE	MODULE LUMEN OUTPUT	CRI/CCT	VOLTAGE	DRIVER	OPTIONS	GENERATION
DI	4S = 4" Square Downlight	10 <sup>3</sup> = 1000 LM* 15 = 1500 LM* 20 = 2000 LM* 30 = 3000 LM* 40 = 4000 LM*	927 = 90CRI, 2700K 930 = 90CRI, 3000K 935 = 90CRI, 3500K 940 = 90CRI, 4000K	1V = 120V 2V <sup>4</sup> = 277V 3V = 347V	10 = 0-10V Dimming Driver PH <sup>8</sup> = Phase Dimming LU <sup>9</sup> = Lutron EcoSystem TQ <sup>4,6,10</sup> = Daintree	(blank) = None EL <sup>4,5</sup> = Emergency Light (only available with 0-10 dimming)	(blank) = None G2 <sup>8</sup> = Gen 2 fixture* *NOTE: 1000lm, 2000lm, 4000lm with 3500K or 1500lm with 4000K must order G2 option. 3000lm is (blank).

### 2. Reflector - Example: RDI4SWSDMR

REFLECTOR	HOUSING TYPE	BEAM SPREAD	REFLECTOR FINISH	REFLECTOR COLOR	FLANGE FINISH	LENS OPTIONS
R = Reflector	DI4S = 4" Square	W = Wide	SD = Semi-diffused DF = Diffused SP = Specular PT = Painted	(blank) = Clear (no color) WE <sup>1</sup> = Wheat PW <sup>3</sup> = Pewter GO <sup>1</sup> = Gold BL <sup>2</sup> = Black WT <sup>3</sup> = White Paint	WT = White Paint MR = Match Reflector XT <sup>4</sup> = Trimless	(blank) = No Lens

### Ordering Notes:

1. Wheat, pewter, and gold anodized reflector colors available in SD = Semi-Diffused reflector finish only. Contact factory representative for quote.
2. Black anodized reflectors available in DF = Diffused finish only. Contact factory representative for quote.
3. White painted reflectors only available in PT = Painted reflector finish and WT = White Paint flange finish.
4. The 277V input, 1000lm version, and Daintree, and all EL options are not Energy Star certified.
5. EL option not available with 347V input voltage and 4000lm.
6. Contact manufacturer for lead time and minimum order quantities.
7. 5% less lumens when using anti-glare reflectors.
8. Phase dimming only available with 1000, 1500, and 2000 lumen packages.
9. Lutron Ecosystem only available with 1000, 1500, and 2000 lumen packages.
10. Daintree driver adds 1.4 Watts to System Input Power (W).

**current**  
powered by GE



## Housing-Only Option

Lumination™ DI series fixtures without LED modules are stocked in GE distribution centers for quick shipment. These fixtures can be shipped directly to job sites for rough-in, and then later fitted with the appropriate Infusion™ LED module and trim kit to complete the installation. The unprecedented interchangeability and flexibility of the Infusion™ LED module makes this possible.

### With the Housing-Only option, distributors can:

- Order just the housings for stock, and then complete the order with the appropriate Infusion™ LED module and reflector at a later date
- Order the stocked housing, module, and reflector all at once for a complete fixture in under 2 weeks

For the housing-only option: A complete fixture consists of a **Housing + LED Module + Reflector**



QUICKSHIP available on selected products.  
Contact factory representative for complete listing.

### 4" Square Housing-Only Fixtures & LED Modules

Downlight Housing-Only			Compatible LED Modules		
PRODUCT CODE	DESCRIPTION CODE	PRODUCT DESCRIPTION	PRODUCT CODE	DESCRIPTION CODE	PRODUCT DESCRIPTION
93079202	DI4SLL101V10HOG2	4", Square, 1000lm, 120v	93064853	MLT35A G2 Module	G2 Module, 1000/2000 lumen, 90CRI, 3500K
93079202	DI4SLL101V10HOG2	4", Square, 1000lm, 120v	93064854	MLT40A G2 Module	G2 Module, 1000/2000 lumen, 90CRI, 4000K
93079203	DI4SLL102V10HOG2	4", Square, 1000lm, 277v	93064853	MLT35A G2 Module	G2 Module, 1000/2000 lumen, 90CRI, 3500K
93079203	DI4SLL102V10HOG2	4", Square, 1000lm, 277v	93064854	MLT40A G2 Module	G2 Module, 1000/2000 lumen, 90CRI, 4000K
93078864	DI4SLL1V10HO	4", Square, 1500lm, 120v	19485	DLM1500/935/G2	Module, 1500 lumen, 90CRI, 3500K
93078865	DI4SLL2V10HO	4", Square, 1500lm, 277v	19485	DLM1500/935/G2	Module, 1500 lumen, 90CRI, 3500K
93078865	DI4SLL2V10HO	4", Square, 1500lm, 277v	19492	DLM1500/940/G2	Module, 1500 lumen, 90CRI, 4000K
93079206	DI4SLL201V10HOG2	4", Square, 2000lm, 120v	93064853	MLT35A G2 Module	G2 Module, 1000/2000 lumen, 90CRI, 3500K
93079206	DI4SLL201V10HOG2	4", Square, 2000lm, 120v	93064854	MLT40A G2 Module	G2 Module, 1000/2000 lumen, 90CRI, 4000K
93079207	DI4SLL202V10HOG2	4", Square, 2000lm, 277v	93064853	MLT35A G2 Module	G2 Module, 1000/2000 lumen, 90CRI, 3500K
93079207	DI4SLL202V10HOG2	4", Square, 2000lm, 277v	93064854	MLT40A G2 Module	G2 Module, 1000/2000 lumen, 90CRI, 4000K

### 4" Square Stocked Reflectors

PRODUCT CODE	DESCRIPTION CODE	PRODUCT DESCRIPTION
93986	RDI6SWSDMR	4" Square Reflector, Wide Distribution, Semi-Diffuse, Polished Flange
93987	RDI6SWSDWT	4" Square Reflector, Wide Distribution, Semi-Diffuse, White Trim
207309	RDI4SWPTWTWT	4" Square Reflector, Wide Distribution, Semi-Diffuse, All-White Painted
207307	RDI4SWDFBLMR	4" Square Reflector, Wide Distribution, Semi-Diffuse, All-Black Anodized

### Accessories (ordered separately)

PRODUCT DESCRIPTION	MATERIAL DESCRIPTION	MATERIAL
ENLIGHTED SENSOR KIT	LCACBAVQUNGALV	93029451
DAINTREE SENSOR KIT	LCACBAVTQUNGALV	93057194
HANGER BAR, C-CHANNEL - 25 1/4" (BOXED PAIR)	BH3	93110306

# Photometric Data: Lumination™ DI4S Series Downlights

## Wide Distribution

		COEFFICIENTS OF UTILIZATION																				
RC		80%				70%				50%				30%				10%				0%
RW		70%	50%	30%	10%	70%	50%	30%	10%	50%	30%	10%	50%	30%	10%	50%	30%	10%	0%			
0		119	119	119	119	116	116	116	116	111	111	111	106	106	106	102	102	102	100			
1		113	110	108	105	111	108	106	104	104	102	101	100	99	98	97	96	95	93			
2		107	102	98	95	105	101	97	94	97	94	92	94	92	90	92	90	88	86			
3		102	95	90	86	100	94	89	85	91	87	84	89	85	83	86	84	81	80			
4		96	89	83	79	95	88	82	78	85	81	77	83	79	76	81	78	75	74			
5		91	83	77	72	90	82	76	72	80	75	71	78	74	71	77	73	70	69			
6		87	77	71	67	85	77	71	67	75	70	66	74	69	66	72	68	65	64			
7		82	73	66	62	81	72	66	62	71	65	61	69	65	61	68	64	61	59			
8		78	68	62	58	77	68	62	58	66	61	57	65	61	57	64	60	57	55			
9		74	64	58	54	73	64	58	54	63	57	54	62	57	53	61	56	53	52			
10		70	60	54	50	69	60	54	50	59	54	50	58	53	50	58	53	50	49			

NOTE: Floor Cavity Reflectance : 20%

### CANDLEPOWER SUMMARY

Angle	NOMINAL MODULE LUMENS		
	1000	1500	2000
0	853	1258	1705
5	863	1274	1726
10	875	1291	1750
15	869	1283	1738
20	822	1214	1644
25	699	1032	1398
30	497	734	994
35	281	415	562
40	137	202	274
45	59	88	119
50	20	30	40
55	9	16	22
60	6	9	12

### CONE OF LIGHT

Height	NOMINAL MODULE LUMENS			
	1000	1500	2000	Dia. (ft.)
6'	24	35	47	6.9
8'	13	20	27	9.2
10'	9	13	17	11.5
12'	6	9	12	13.9
14'	4	6	9	16.2
16'	3	5	7	18.5
18'	3	4	5	20.8
20'	2	3	4	23.1

### ZONAL LUMEN SUMMARY

Zone	NOMINAL MODULE LUMENS			
	1000	1500	2000	% of Fixture
0 - 30°	663	978	1326	68.6
0 - 40°	881	1300	1762	91.1
0 - 60°	956	1412	1913	99
0 - 90°	967	1427	1934	100

### APPLICATION REFERENCE (Open Space)

Spacing	NOMINAL MODULE LUMENS					
	1000		1500		2000	
	Avg. fc	W/ft²	Avg. fc	W/ft²	Avg. fc	W/ft²
4' x 4'	60.3	1.08	89.1	1.50	120.7	1.92
6' x 6'	28.1	0.50	41.6	0.70	56.3	0.90
8' x 8'	15.1	0.27	22.3	0.38	30.2	0.48
10' x 10'	10.1	0.18	14.8	0.25	20.1	0.32

10' ceiling, Open Space: 50' x 40' x 10'

LLF: 1.0 Initial, 80/50/20 Reflectances, 2.5' workplane

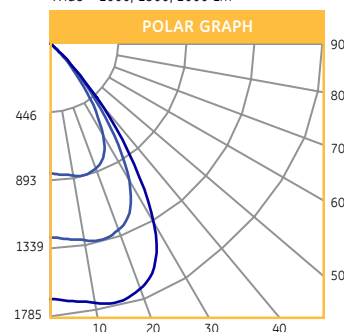
### APPLICATION REFERENCE (Corridor)

Spacing	NOMINAL MODULE LUMENS					
	1000		1500		2000	
	Avg. fc	W/ft²	Avg. fc	W/ft²	Avg. fc	W/ft²
4' on ctr.	26.0	0.75	38.3	1.04	51.9	1.33
6' on ctr.	17.7	0.51	26.1	0.71	35.3	0.91
8' on ctr.	12.5	0.36	18.4	0.50	24.9	0.64
10' on ctr.	10.4	0.30	15.3	0.42	20.8	0.53

10' ceiling, Corridor: 6' W x 100' L

LLF: 1.0 Initial, 80/50/20 Reflectances, Light levels on the ground

Wide - 1000, 1500, 2000 Lm



## Spacing Criteria: DI4S - Wide = 1.04

## Product Specifications:

### Ratings:

- Operating temperature: -20°C to +35°C
- Storage temperature: -40°C to +70°C
- Surge protection: ANSI C82.77 compliant
- Environmental: RoHS compliant

### Construction:

- 16 gauge galvanized steel housing
- 0.032" thick reflectors resist dents during transportation and installation
- Custom engineered heat sinks for passive cooling at all lumen options
- Galvanized steel junction box with multiple 1/2" trade-size knockouts

### Installation:

- Universal mounting brackets with over 3" of vertical adjustment accommodate several types of hanger bars
- Accommodates ceilings up to 1.5" thick
- Mount in T-bar grid or drywall ceilings
- LED module twists in at time of trim installation, preventing damage to module during ceiling installation

### Optical System:

- Custom engineered reflectors for precise beam distributions and 45° cutoff to light source and source image
- Self-flanged design with white painted or reflector-matching trim
- Standard semi-diffuse finish for ideal combination of optical efficiency and low glare

### Electrical System:

- Class 2 LED Drivers
- Infusion™ DLM LED module for exceptional performance and tool-free upgradeability
- Standard 0-10V dimming, high efficiency drivers
- Thermal protection feature in module protects LEDs from overheating in abnormal conditions
- Wireless networking & sensing: ZigBee Wireless Daintree-enabled with no sensor - Controls Option TQ

For more information and access to all of our resources, including our design tool visit: [www.products.CurrentByGE.com](http://www.products.CurrentByGE.com)



All trademarks are the property of their respective owners. Information provided is subject to change without notice. All values are design or typical values when measured under laboratory conditions. Current, powered by GE is a business of the General Electric Company. © 2019 GE.

