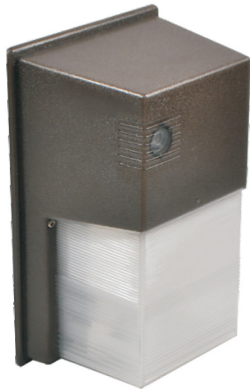


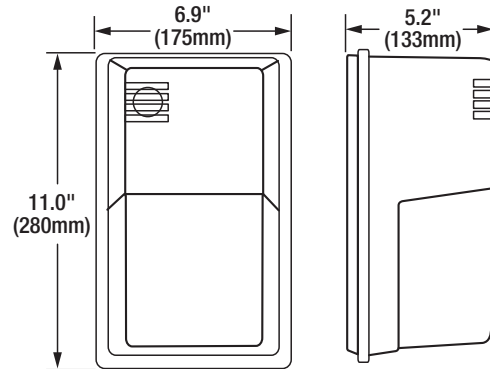
# SYLVANIA Luminaires

## Small Wall Pack



Catalog #	Type
Project	
Notes	
Date	
Prepared by	

### Dimensions



### Product Features

- Up to 90% energy savings while maintaining traditional design
- Available with optional photocontrol for additional energy savings
- Low maintenance and long life ( $L_{70} \geq 150,000$  hours)

### Wattage Comparison Chart

#### Small Wall Pack

Traditional Source	Traditional System Wattage	LED System Wattage	Energy Savings
23W CFL	23	15	35%
35W HPS	45	15	67%
42W CFL	46	15	67%
50W HPS	62	15	76%
50W MH	62	15	76%
100W Inc	100	15	85%
150W Inc	150	15	90%

### Specifications

**Weight:** 4.8lbs (2.2kg)

**Construction:** Aluminum alloy back plate with polycarbonate front cover. Epoxy paint finish. The standard color is bronze.

**LED System:** LED system with a life rating of  $\geq 150,000$  hours at  $L_{70}$  @25°C. Luminaire efficacy up to 119 LPW.

**Electrical:** Offered in 15 Watts, the luminaire is designed to operate through the 120-277 V<sub>AC</sub> universal voltage range. The LED driver has a 4kV inherent surge suppression and is a constant current device, meeting UL1310 and UL48 Class 2 with built-in over temperature protection. The fixture power factor is  $\geq 90\%$  and THD is  $\leq 20\%$ .

**Color Characteristics:** CRI >70; CCT of 4000K or 5000K.

**Optics:** Non-Cutoff distribution with polycarbonate lens.

**Options Available:** Photocontrol.

**Installation:** Luminaire mounts to exterior wall. Level included in back plate.

**Operating Temperature:** -40°F to +104°F (-40°C to +40°C).

**Listings:** cULus listed to UL1598 standards for wet locations.

**Warranty:** Standard 5-year luminaire warranty (LEDLUM001).

**Note:** Specifications subject to change without notice. IES files available online.



### Ordering Guide

Item Number:

<input type="text"/>	<input type="text"/>	/	<input type="text"/>	<input type="text"/>	<input type="text"/>		<input type="text"/>	/	<input type="text"/>	/	<input type="text"/>	
<b>SMWLPAK</b>	<b>1N</b>		<b>XXX</b>	<b>UNV</b>	<b>7</b>		<b>XX</b>		<b>NC</b>		<b>BZ</b>	<b>X</b>
Product Name	Generation		Wattage (UNV)	Voltage	CRI		Color Temp (CCT)		Optics		Color/Finish	Options
SMWLPAK	1N		015 = 15W	UNV = 120-277V	7 $\geq 70$		40 = 4000K 50 = 5000K		NC = Non-Cutoff Distribution		BZ = Bronze	Blank = No Option P = Photocontrol

## Ordering Information

Item Number	Ordering Abbreviation	Power (W)	Input Voltage	CRI	Color Temp (CCT)	Distribution	Total Fixture Lumens	LPW*	DLC**	BUG Rating	Options
60064	SMWLPAK1N/015UNV740/NC/BZ	15	120-277	>70	4000K	Type I	1700	119	Std	B1-U0-G1	–
60065	SMWLPAK1N/015UNV750/NC/BZ	15	120-277	>70	5000K	Type I	1700	119	Std	B1-U0-G1	–
60066	SMWLPAK1N/015UNV740/NC/BZ/P	15	120-277	>70	4000K	Type I	1700	119	Std	B1-U0-G1	Photocell
60067	SMWLPAK1N/015UNV750/NC/BZ/P	15	120-277	>70	5000K	Type I	1700	119	Std	B1-U0-G1	Photocell

\*LPW per LM79 report

\*\*Std for DLC Standard.

For further information and to learn more about utility rebates, contact your local SYLVANIA sales representative.

LEDVANCE LLC  
200 Ballardvale Street  
Wilmington, MA 01887 USA  
Phone 1-800-LIGHTBULB (1-800-544-4828)  
[www.sylvania.com](http://www.sylvania.com)

SYLVANIA and LEDVANCE are registered trademarks.  
All other trademarks are those of their respective owners.  
Licensee of product trademark SYLVANIA in general lighting.  
Specifications subject to change without notice.

 /sylvania

 /sylvania

