

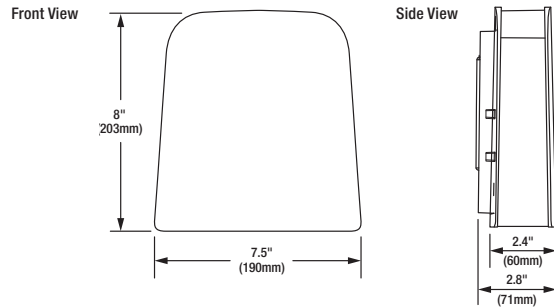
SYLVANIA Luminaires

Slim Wall Pack



| | |
|-------------|------|
| Catalog # | Type |
| Project | |
| Notes | |
| Date | |
| Prepared by | |

Dimensions



Product Features

The Wall Pack luminaires are environmentally preferable LED alternatives to traditional HID or Incandescent luminaires, offering up to 87% in energy savings. Ideal in place of traditional luminaires, or as new installations, the Wall Pack series is offered in four wattages/lumen packages for illuminating building exteriors, outdoor corridors, walkways, and stairwells.

The slim design of these luminaires is aesthetically pleasing and they are available with optional photo control. SYLVANIA luminaires assure optimum light engine performance for extended service and rated life ($\geq 125,000$ hours L_{70}).

Wattage Comparison Chart

Slim Wall Pack

| Traditional Source | Traditional System Wattage | LED System Wattage | Energy Savings |
|--------------------|----------------------------|--------------------|----------------|
| 23 W CFL | 23 | 13 | 43% |
| 100 W Inc | 100 | 13 | 87% |
| 150 W Inc | 150 | 30 | 80% |
| 50 W HPS | 62 | 30 | 52% |
| 70 W HPS | 91 | 30 | 67% |
| 70 W HPS | 91 | 30 | 67% |
| 70 W HPS | 91 | 40 | 56% |
| 100 W HPS | 120 | 40 | 67% |
| 100 W MH | 130 | 40 | 69% |
| 150 W HPS | 170 | 60 | 65% |
| 150 W MH | 188 | 60 | 68% |
| 175 W MH | 210 | 60 | 71% |

Specifications

Weight: UNV: 5.9 lbs (2.7 kg) 347V: 65 lbs (2.9 kg)

Construction: Two-piece cast aluminum alloy housing with powder coat paint finish and a glass lens. The standard color is bronze.

LED System: LED system with a life rating of $\geq 125,000$ hours at L_{70} @25°C. Luminaire efficacy up to 121 LPW.

Electrical: Offered in 13, 30, 40, and 60 Watts, the luminaire is designed to operate through the 120-277 V_{AC} universal voltage range (30 and 40 Watts in 347V_{AC}). The LED driver has a 4kV inherent surge suppression and is a constant current device, meeting UL1310 and UL48 Class 2 with built-in over temperature protection. The fixture power factor is $\geq 90\%$ and THD is $\leq 20\%$.

Color Characteristics: CRI > 70 ; CCT of 4000K or 5000K.

Optics: Cutoff distribution with a flat tempered glass lens.

Options Available: Photocontrol (120V Only).

Installation: Luminaire mounts to exterior wall (knuckle and trunion mount accessories available). Level included in back plate and luminaire can be mounted in any orientation.

Operating Temperature: -40°F to +104°F (-40°C to +40°C).

Listings: cULus listed to UL1598 standards for wet locations.

Warranty: Standard 5-year luminaire warranty (LEDLUM001).

Note: Specifications subject to change without notice. IES files available online.



*See page 2 for DLC listings.

Ordering Guide

Item Number:

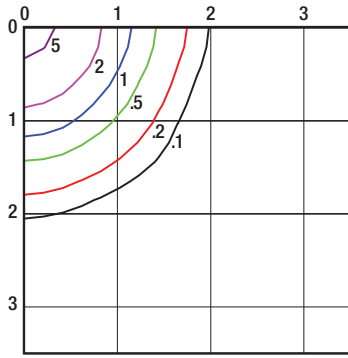
| SLMWPK | XX | / | XXX | XXX | 7 | XX | / | CO | / | BZ | / | X |
|--------------|------------|---|----------------|----------------|-------------|------------------|---|--------------------------|---|--------------|---|------------------------------|
| Product Name | Generation | | Wattage (UNV) | Voltage | CRI | Color Temp (CCT) | | Optics | | Color/Finish | | Options |
| SLMWPK | 1A | | 013 = 13 Watts | UNV = 120-277V | $7 \geq 70$ | 40 = 4000K | | CO = Cutoff Distribution | | BZ = Bronze | | Blank = No Option |
| | 2A | | 030 = 30 Watts | 120 = 120V | | 50 = 5000K | | | | | | P = Photocontrol (120V only) |
| | | | 040 = 40 Watts | 347 = 347V | | | | | | | | |
| | | | 060 = 60 Watts | | | | | | | | | |
| | | | Wattage (347V) | | | | | | | | | |
| | | | 030 = 30 Watts | | | | | | | | | |
| | | | 040 = 40 Watts | | | | | | | | | |



Photometric Data

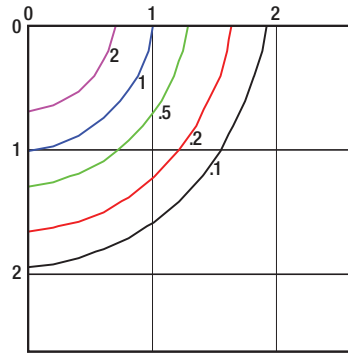
SLMWPK2A/030UNV750/CO

Isofootcandle Lines at 15' Mounting Height



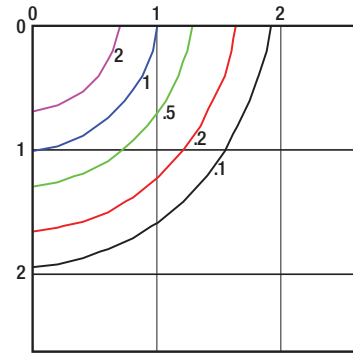
SLMWPK1A/040UNV750/CO (UNV/347V)

Isofootcandle Lines at 18' Mounting Height



SLMWPK2A/060UNV750/CO

Isofootcandle Lines at 20' Mounting Height



For other mounting heights apply the following multipliers:

| Mounting Height | 12' | 15' | 18' | 20' | 22' |
|-----------------|------|------|------|------|------|
| Multiplier | 1.56 | 1.00 | 0.69 | 0.56 | 0.46 |

| Mounting Height | 15' | 18' | 20' | 22' | 25' |
|-----------------|------|------|------|------|------|
| Multiplier | 1.44 | 1.00 | 0.81 | 0.67 | 0.52 |

| Mounting Height | 15' | 18' | 20' | 22' | 25' |
|-----------------|------|------|------|------|------|
| Multiplier | 1.78 | 1.23 | 1.00 | 0.83 | 0.64 |

Ordering Information

| Item Number | Ordering Abbreviation | Power (W) | Input Voltage | CRI | Color Temp (CCT) | Distribution | Total Fixture Lumens | LPW* | DLC** | BUG Rating | Options | MTO*** |
|-------------|----------------------------|-----------|---------------|-----|------------------|--------------|----------------------|------|-------|------------|--------------|--------|
| 74340 | SLMWPK1A/013UNV740/CO/BZ | 13 | 120-277V | >70 | 4000K | Cutoff | 1400 | 113 | Std | B1-U0-G1 | - | |
| 74341 | SLMWPK1A/013UNV750/CO/BZ | 13 | 120-277V | >70 | 5000K | Cutoff | 1400 | 113 | Std | B1-U0-G1 | - | |
| 74192 | SLMWPK1A/030UNV740/CO/BZ | 30 | 120-277V | >70 | 4000K | Cutoff | 2800 | 92 | Std | B1-U0-G1 | - | |
| 74195 | SLMWPK1A/030UNV750/CO/BZ | 30 | 120-277V | >70 | 5000K | Cutoff | 2800 | 84 | - | B1-U0-G1 | - | |
| 74193 | SLMWPK1A/040UNV740/CO/BZ | 40 | 120-277V | >70 | 4000K | Cutoff | 4100 | 99 | Std | B2-U0-G1 | - | |
| 74196 | SLMWPK1A/040UNV750/CO/BZ | 40 | 120-277V | >70 | 5000K | Cutoff | 3900 | 98 | Std | B2-U0-G1 | - | |
| 74194 | SLMWPK1A/060UNV740/CO/BZ | 60 | 120-277V | >70 | 4000K | Cutoff | 5500 | 94 | Std | B2-U0-G1 | - | |
| 74197 | SLMWPK1A/060UNV750/CO/BZ | 60 | 120-277V | >70 | 5000K | Cutoff | 5100 | 83 | - | B2-U0-G1 | - | |
| 74342 | SLMWPK1A/013120740/CO/BZ/P | 13 | 120V | >70 | 4000K | Cutoff | 1400 | 113 | Std | B1-U0-G1 | Photocontrol | |
| 74343 | SLMWPK1A/013120750/CO/BZ/P | 13 | 120V | >70 | 5000K | Cutoff | 1400 | 113 | Std | B1-U0-G1 | Photocontrol | MTO |
| 74204 | SLMWPK1A/030120740/CO/BZ/P | 30 | 120V | >70 | 4000K | Cutoff | 2800 | 92 | Std | B1-U0-G1 | Photocontrol | MTO |
| 74208 | SLMWPK1A/040120750/CO/BZ/P | 40 | 120V | >70 | 5000K | Cutoff | 3900 | 98 | Std | B2-U0-G1 | Photocontrol | |
| 74206 | SLMWPK1A/060120740/CO/BZ/P | 60 | 120V | >70 | 4000K | Cutoff | 5500 | 94 | Std | B2-U0-G1 | Photocontrol | |
| 74209 | SLMWPK1A/060120750/CO/BZ/P | 60 | 120V | >70 | 5000K | Cutoff | 5100 | 83 | - | B2-U0-G1 | Photocontrol | |
| 72966 | SLMWPK1A/030347750/CO/BZ | 30 | 347V | >70 | 5000K | Cutoff | 3400 | 109 | Std | B1-U0-G1 | - | |
| 72992 | SLMWPK1A/040347750/CO/BZ | 40 | 347V | >70 | 5000K | Cutoff | 4300 | 104 | Std | B2-U0-G1 | - | |
| 74381 | SLMWPK2A/030UNV750/CO/BZ | 30 | 120-277V | >70 | 5000K | Cutoff | 3300 | 112 | Prm | B1-U0-G1 | - | |
| 74380 | SLMWPK2A/060UNV740/CO/BZ | 60 | 120-277V | >70 | 4000K | Cutoff | 7000 | 117 | Prm | B2-U0-G1 | - | |
| 74382 | SLMWPK2A/060UNV750/CO/BZ | 60 | 120-277V | >70 | 5000K | Cutoff | 7200 | 121 | Prm | B2-U0-G1 | - | |
| 74384 | SLMWPK2A/030120750/CO/BZ/P | 30 | 120V | >70 | 5000K | Cutoff | 3300 | 112 | Prm | B1-U0-G1 | Photocontrol | MTO |
| 74383 | SLMWPK2A/060120740/CO/BZ/P | 60 | 120V | >70 | 4000K | Cutoff | 7000 | 117 | Prm | B2-U0-G1 | Photocontrol | |
| 74385 | SLMWPK2A/060120750/CO/BZ/P | 60 | 120V | >70 | 5000K | Cutoff | 7200 | 121 | Prm | B2-U0-G1 | Photocontrol | MTO |

*LPW per LM79 report.
 **Prm for DLC Premium; Std for DLC Standard
 ***Made To Order

For further information and to learn more about utility rebates, contact your local SYLVANIA sales representative.

Accessories and Replacement Parts

| Item Number | Ordering Abbreviation | Item Description |
|-------------|-----------------------|--|
| 74392 | SLMWPK1A/JBOX/BZ | Junction Box, Bronze Finish |
| 74393 | SLMWPK1A/TRUNNION/BZ | Junction Box Trunnion Mount, Bronze Finish |
| 74394 | SLMWPK1A/KNUCKLE/BZ | Junction Box Knuckle Mount, Bronze Finish |



LEDVANCE LLC
 200 Ballardvale Street
 Wilmington, MA 01887 USA
 Phone 1-800-LIGHTBULB (1-800-544-4828)
 www.sylvania.com

SYLVANIA and LEDVANCE are registered trademarks.
 All other trademarks are those of their respective owners.
 Licensee of product trademark SYLVANIA in general lighting.
 Specifications subject to change without notice.

[/sylvania](#) [/sylvania](#)

